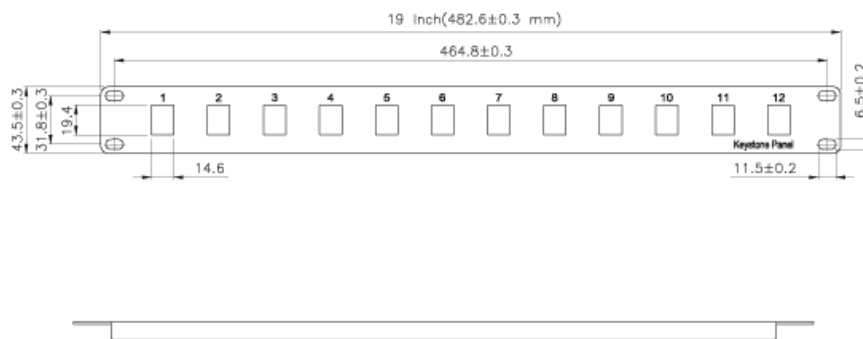
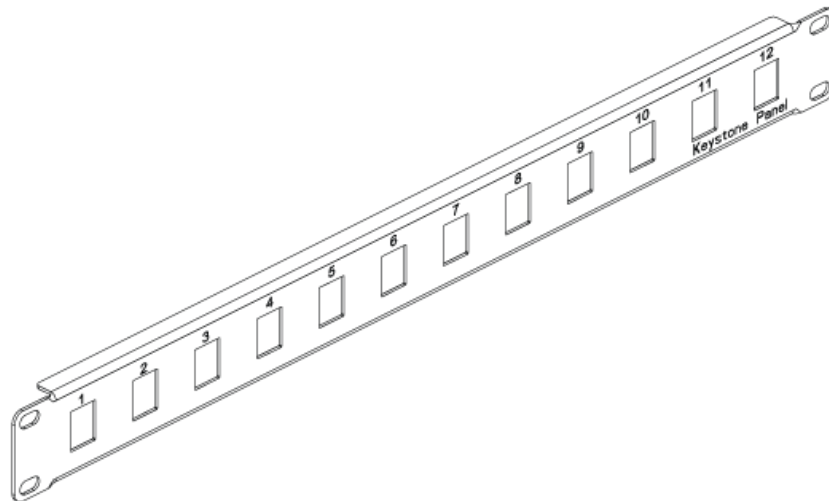


PA1201-bk 1U 12 PORT BLANK PATCH PANEL

FEATURES

- Constructed from heavy-duty 16-gauge steel
- UL94-V-0 high-impact, fire-retardant material.
- Accepts either 10/24 or 12/32 screws
- Durable black powder coat finish
- Universal mounting for either left or right hinging and easy panel access
- Convenient wall mounting of patch panels
- Bezels, Jacks or Inserts NOT Included
- Black Coated Finish



Subject to change without notice