

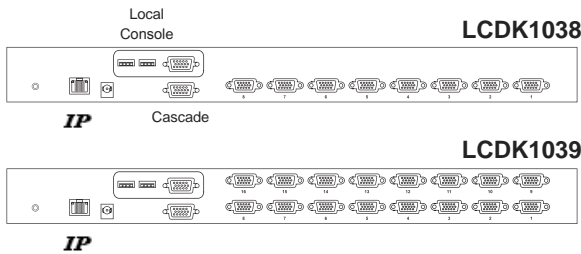


**Combo DB-15 IP KVM Benefits**

- ▶ Combo DB-15 KVM with either 8 or 16 ports in 1U
- ▶ IP remote access across the world wide web
- ▶ Cascade switches up to 8 levels & Mix switches between Cat6 & Combo DB-15 KVM
- ▶ Support resolution up to 1920 x 1080
- ▶ SUN 1152 x 900 resolution compatible
- ▶ Mix PS/2, USB & SUN with Multi-Platform switch capability
- ▶ Cost efficient remote server management between national / global sites

**Switch Features & Options**

- Mix legacy PS/2 servers with newer USB and SUN solutions
- Greater distances between your switch and servers allow enhanced data center rack layouts
- Multi lingual on screen display menu
- Advanced user profiles and configurable OSD hot key combinations
- DC power options : 12V / 24V / 48V / 110 ~ 125V



**Ordering Information**

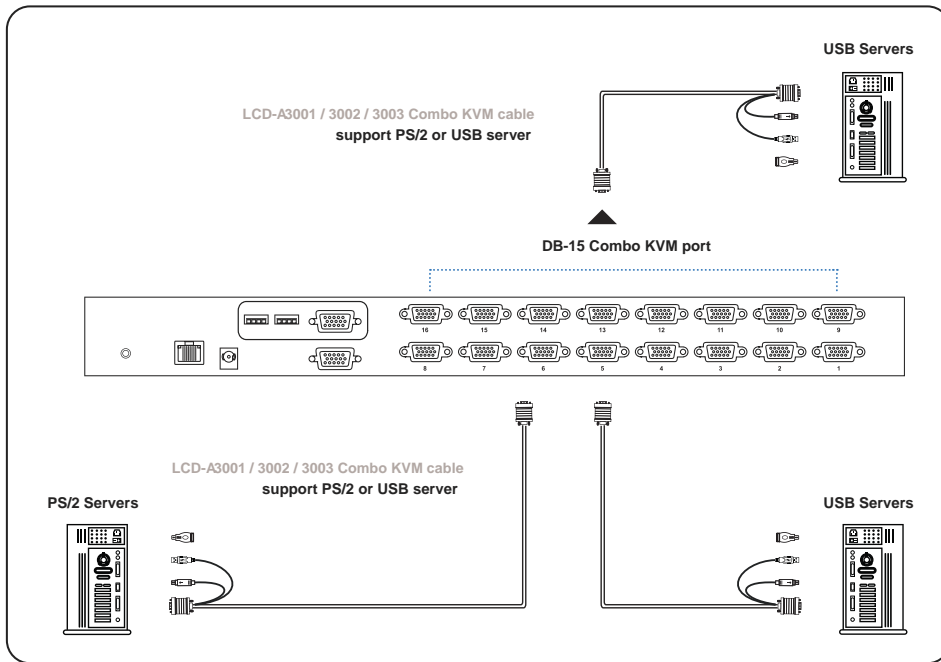
Console	Local	Remote	IP	8-port	16-port
IP	1	0	1	LCDK1038	LCDK1039

**KVM Specification**

<p>■ <b>KVM Port</b></p> <p>Number of ports: 8 or 16</p> <p>Connector: DB-15 combo connector</p> <p>Connectivity: Combo 4-in-1 KVM cable, up to 6, 10 &amp; 15 feet</p>	
<p>■ <b>Local Console</b></p> <p>Graphic Connector: 1 x DB-15 VGA</p> <p>Resolution: Up to 1920 x 1080 / 1920 x 1200</p> <p>Input device: 2 x USB type A for keyboard &amp; mouse</p>	
<p>■ <b>IP Remote Console</b></p> <p>Connector: RJ45 Ethernet</p> <p>User management: 15-user login, 1 x active user</p> <p>Network protocol: DHCP / BOOTP / DNS</p> <p>Security: SSL v3, RSA, AES, HTTP / HTTPS, CSR</p> <p>Resolution: Up to 1600 x 1200</p> <p>Browser: IE, Firefox, Safari, Netscape</p>	
<p>■ <b>Expansion:</b> Up to 128 servers by 8-level cascade</p>	
<p>■ <b>Compatibility</b></p> <p>Hardware : HP / IBM / Dell PC, Server and Blade Server SUN / Mac</p> <p>OS Support : Windows / Linux / Unix / Mac OS</p>	
<p>■ <b>Power</b></p> <p>Input: Auto sensing 100 to 240VAC, 50 / 60 Hz</p> <p>Option DC: 12V / 24V / 48V / 110 ~ 125V DC input</p> <p>Consumption: Max. 19W</p>	

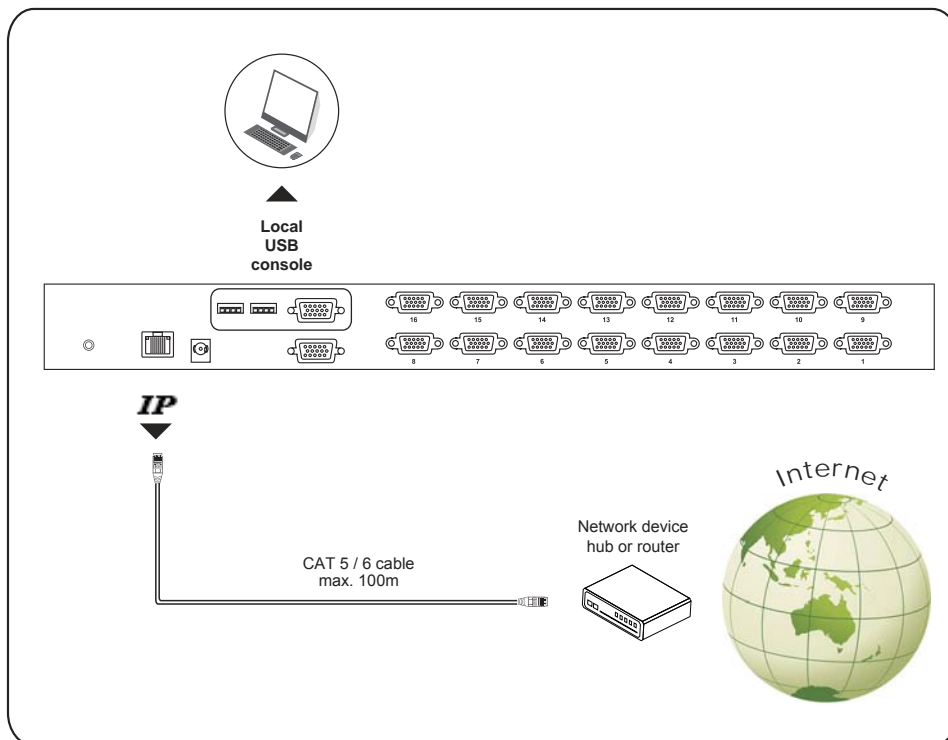
<p>■ <b>Regulatory</b></p> <p>Safety: cUL, FCC &amp; CE certified</p> <p>Environment: RoHS2 &amp; REACH compliant</p>	
<p>■ <b>Environmental</b></p> <p>Operating temperature : 0 to 55°C degree</p> <p>Storage temperature : -20 to 60°C degree</p> <p>Operating humidity : 20~90%, non-condensing</p> <p>Storage humidity : 5 ~90%, non-condensing</p> <p>Operating altitude : 16,000 ft</p> <p>Non-operating altitude : 40,000 ft</p> <p>Shock : 10G acceleration (11ms duration)</p> <p>Vibration : 5~500Hz 1G RMS random vibration</p>	
<p>■ <b>Product Information</b></p> <p>Dimension (W x D x H) : 443 x 171 x 44 mm / 17.4 x 6.7 x 1.73 inch</p> <p>Net weight : 2.3 kg / 5.1 lb - LCDK1038 2.5 kg / 5.5 lb - LCDK1039</p>	

KVM port connection



- LCD-A 3001 / 3002 / 3003**
- 6 / 10 / 15 ft Combo KVM cable
  - Support PS/2 or USB server

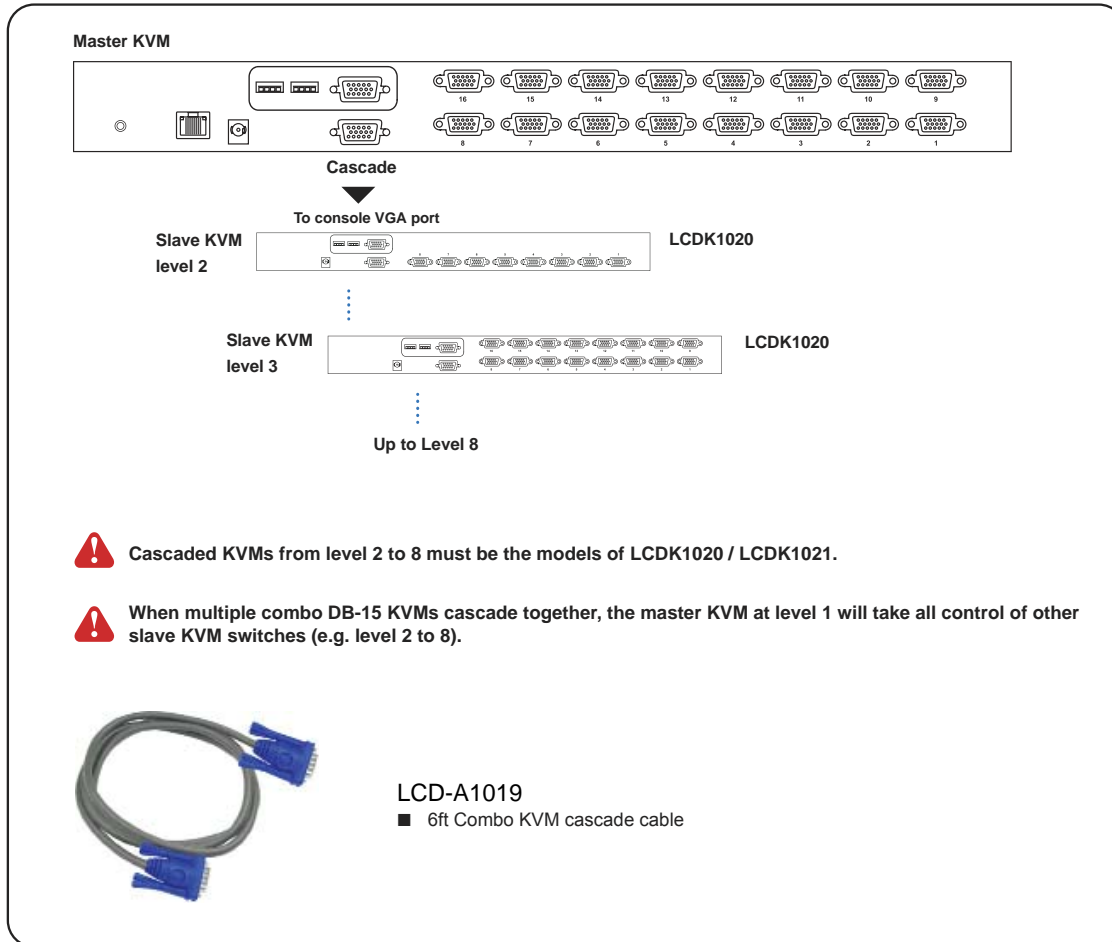
IP & Local console connection



IP Console Resolution Support	Frequency ( Hz )
1600 x 1200	60
1280 x 1024	60
1280 x 960	60
1152 x 864	75
1024 x 768	60 / 70 / 75

## KVM Cascade

- Cascade up to 8 levels, 128 servers
- Cascading multiple KVM with LCD-A1019 cascade cable.



**! For detailed product specifications and options, please download the user manual from the link below :**  
[http://www.rackmountmart.com/dataSheet/lcdk1020\\_1021\\_1024\\_1025\\_1038\\_1039.pdf](http://www.rackmountmart.com/dataSheet/lcdk1020_1021_1024_1025_1038_1039.pdf)