



Options

- DC power options : 12V / 24V / 48V / 110V / 125V
- Dual power with failover



LCD-A2005
DP-USB dongle



LCD-A2004
HDMI-USB dongle



LCD-A2003
DVI-USB dongle



LCD-A2001
VGA-USB dongle



LCD-A2002
VGA-PS/2 dongle

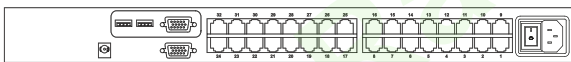
Models - local console x 1



LCKDK2001



LCKDK1043



LCKDK1044

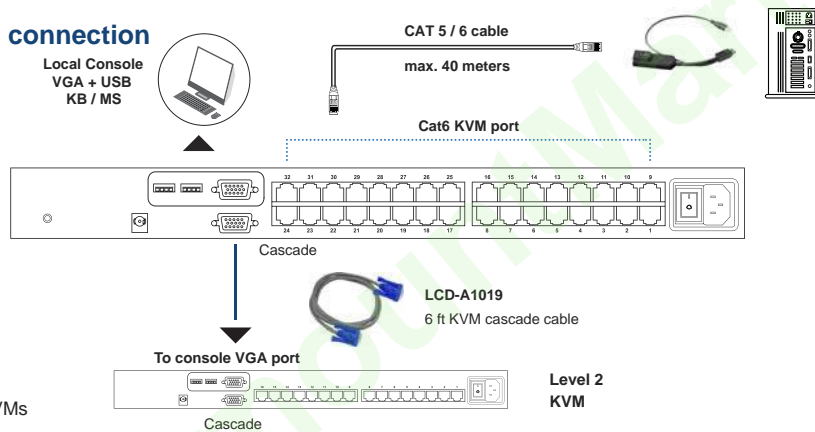
Benefits

- Cat6 KVM with 8, 16 or 32 ports in 1U
- Cat6 dongle available for DP, HDMI, DVI-D or VGA video input
- Local console & KVM ports support resolution up to 1920 x 1080
- Multi-platform for PC, server, Blade Server & SUN / MAC
- Port switching via OSD, front button & keyboard hotkeys
- Multi lingual OSD menu
- Hot pluggable, no software or drivers required
- Cascade levels up to 8 KVM switches



KVM Port	
Port # :	8, 16 or 32
Connector :	RJ-45
Connectivity :	DP / HDMI / DVI-D / VGA dongle via Cat6 / Cat5 cable to server up to 40 meters (132 feet)
Resolution :	16:9 - max. 1920 x 1080 / 4:3 - max. 1600 x 1200
Local Console	
Graphic Connector :	1 x DB-15 VGA
Input device :	2 x USB type A for keyboard & mouse
Resolution :	16:9 - max. 1920 x 1080 / 4:3 - max. 1600 x 1200

Local console & KVM port connection



KVM Cascade

- 8-level cascade up to 256 servers
- KVM cascade via LCD-A1019
- Level 2 - 8 KVM must be basic models : LCKDK2001 / LCKDK1043 / LCKDK1044
- 1st level KVM takes all control of slave KVMs

Management	
Port switching	OSD, front button & keyboard hotkeys
Expansion	8-level cascade up to 256 servers

Compatibility	
Hardware	HP / IBM / Dell PC, Server and Blade Server SUN / Mac
OS support	Windows / Linux / Unix / Mac OS

Environment	
Operating temp.	0 to 55°C degree
Storage temp.	-20 to 60°C degree
Operating humidity	20~90%, non-condensing
Storage humidity	5 ~90%, non-condensing
Operating altitude	16,000 ft
Non-operating altitude	40,000 ft
Shock	10G acceleration (11ms duration)
Vibration	10~300Hz 0.5G RMS random vibration

Power	
Input	Auto-sensing 100 to 240VAC, 50 / 60Hz
Consumption	Max. 22W

Compliance	
Safety	cUL, FCC & CE certified
Environment	RoHS2 & REACH compliant

Physical	
Product (W x D x H)	443 x 171 x 44 mm 17.4 x 6.7 x 1.73 inch
Weight	Net 2.5 kg / 5.5 lb
Chassis color	Black
Chassis materials	Steel