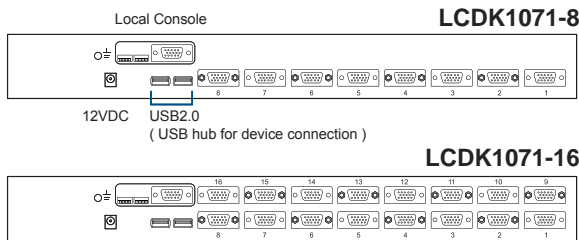




USB Hub DB-15 KVM Benefits

- ▶ VGA-USB DB-15 KVM with either 8 or 16 ports in 1U
- ▶ 2 x USB 2.0 port sharing USB peripheral for computers
- ▶ Mix USB & SUN with Multi-Platform switch capability
- ▶ Support resolution up to 1920 x 1080
- ▶ SUN 1152 x 900 resolution compatible
- ▶ Hot pluggable, no software or drivers required
- ▶ Easy & quick installation



Switch Features & Options

- Multi lingual on screen display menu
- Advanced user profiles and configurable OSD hot key combinations
- DC power options : 12V / 24V / 48V / 110 ~ 125V

Ordering Information

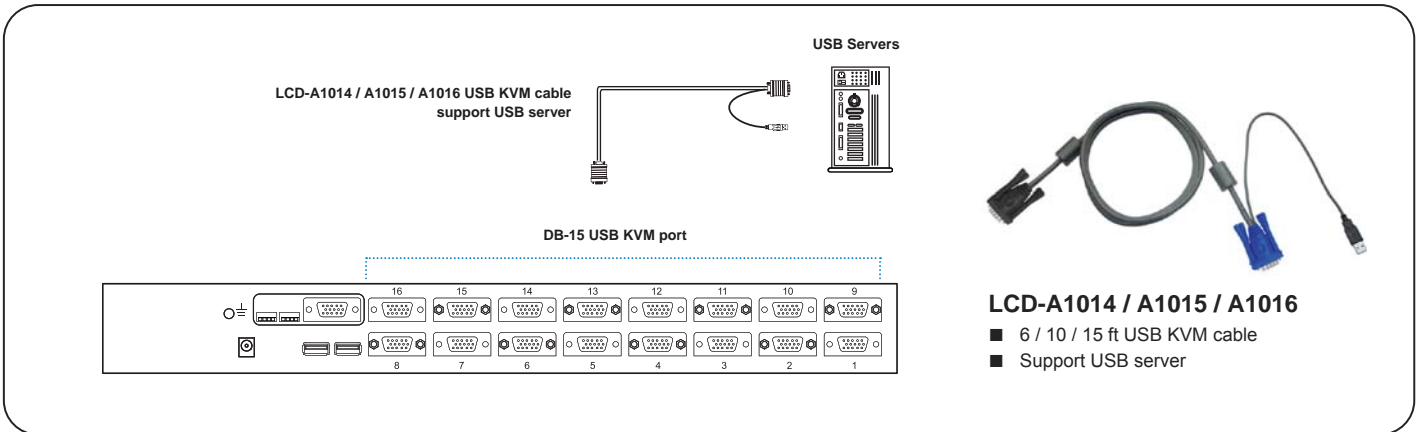
Console	Local	Remote	IP	8-port	16-port
	1	0	0	LCDK1071-8	LCDK1071-16

KVM Specification

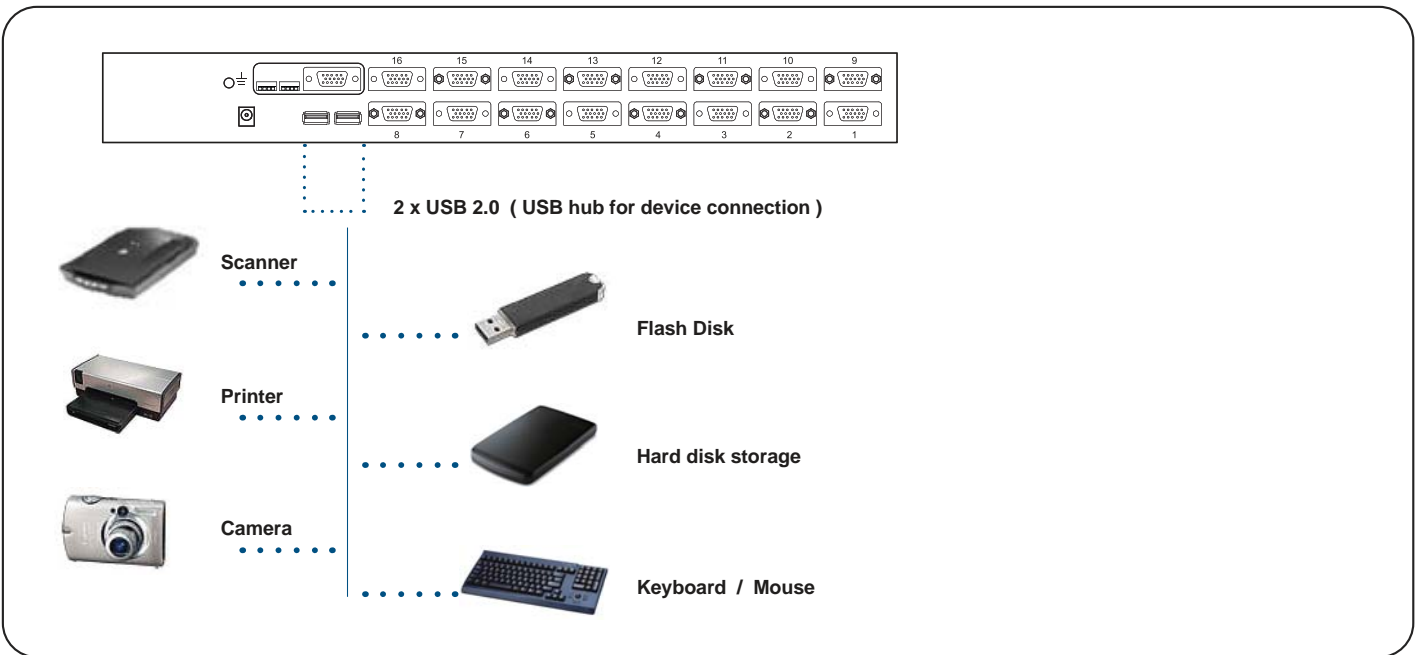
<p>■ KVM Port</p> <p>Number of ports: 8 or 16</p> <p>Connector: DB-15 combo connector</p> <p>Connectivity: Combo 2-in-1 VGA + USB KVM cable, 6, 10 or 15 feet</p>	
<p>■ Local Console</p> <p>Graphic Connector: 1 x DB-15</p> <p>Resolution: Up to 1920 x 1200</p> <p>Input device: 2 x USB type A for keyboard & mouse</p> <p>USB hub: 2 x USB type A for sharing other peripheral devices among the computers</p>	
<p>■ Management</p> <p>Multilingual OSD: English, France, German, Spanish, Italian, Russian, Simplified Chinese, Japanese</p> <p>Hotkey combination: Scroll-lock, Cap-lock, Num-lock, Alt, Ctrl & Win</p> <p>Security: Password enable & disable, up to 8 users profile for port access</p> <p>PC Selection: Front button, OSD menu & hotkey</p>	
<p>■ Compatibility</p> <p>Hardware : HP / IBM / Dell PC, Server and Blade Server SUN / Mac</p> <p>OS Support : Windows / Linux / Unix / Mac OS</p>	

<p>■ Power</p> <p>Input: Auto sensing 100 to 240VAC, 50 / 60 Hz</p> <p>Option DC: 12V / 24V / 48V / 110 ~ 125V DC input</p> <p>Consumption: Max. 10W</p>	
<p>■ Regulatory</p> <p>Safety: FCC & CE certified</p> <p>Environment: RoHS2 & REACH compliant</p>	
<p>■ Environmental</p> <p>Operating temperature : 0 to 55°C degree</p> <p>Storage temperature : -20 to 60°C degree</p> <p>Operating humidity : 20~90%, non-condensing</p> <p>Storage humidity : 5 ~90%, non-condensing</p> <p>Operating altitude : 16,000 ft</p> <p>Non-operating altitude : 40,000 ft</p> <p>Shock : 10G acceleration (11ms duration)</p> <p>Vibration : 5~500Hz 1G RMS random vibration</p>	
<p>■ Product Information</p> <p>Dimension (W x D x H) : 443 x 171 x 44 mm / 17.4 x 6.7 x 1.73 inch</p> <p>Net weight : 3 kg / 6.5 lb</p>	

KVM port connection



Built-in USB Hub Usage & Connection



For detailed product specifications and options, please download the user manual from product page.

Front Panel - Port LED Indications

