



Key Benefits

- ▶ 1024 x 768 native resolution
- ▶ 16.2M colors
- ▶ VGA video input
- ▶ Rugged structure ensures high mobility
- ▶ Universal mount
- ▶ Professional-use durability & around-the-clock operation

Applications

- Broadcasting / Advertising
- Traffic control / Command center
- Directory / Ticket kiosk
- Surveillance system
- Vehicle mount display
- Bathroom TV

Options

Video Management & Transmission over Network

- Multi Monitor OSD Control Module

Bezel & Frame Customization

- Dimension
- Color & Treatment
- Screen Printing
- Stainless Steel Bezel

Touchscreen & Glass Protection

- Resistive 1-point Touch
- Capacitive 1-point Touch
- Projected Capacitive 10-point Touch
- Anti-reflective Glass
- Vandal Proof Glass

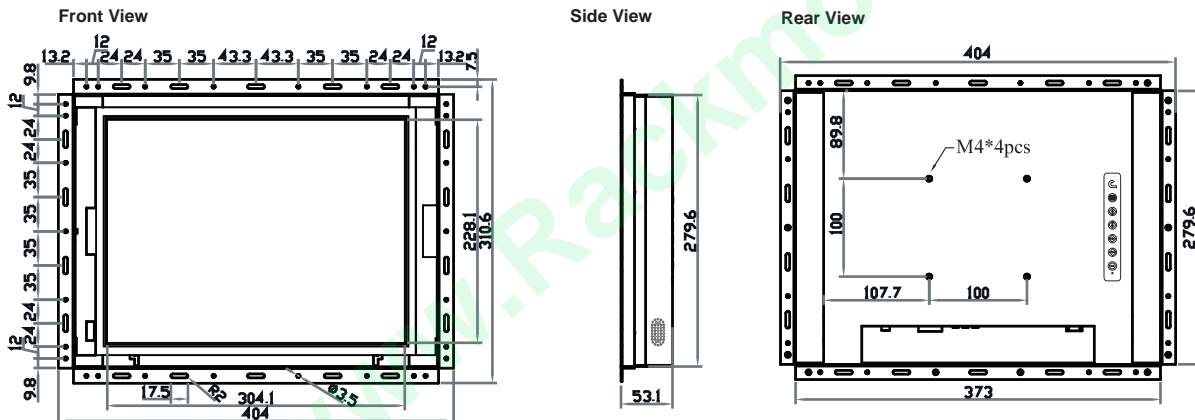
DC Power & connector

- 12V / 24V / 48V / 110V / 125V / 250VDC
- MIL-type or lockable connector

Mounting

- VESA mount kit

Diagrams (mm)



Product Specifications

LCD Panel	
Brightness (cd/m ²)	350
Contrast ratio (typ.)	800 : 1
MTBF (hrs)	50,000
Panel size (diagonal)	15"
Native resolution	1024 x 768
Colors	16.2M
Viewing angle (L/R/U/D)	80/80/70/80
Response time (ms)	8
Dot pitch (mm)	0.297
Display area (mm)	304.128H x 228.096V
Surface treatment	Haze 25%
Surface hardness	3H
Backlight type	CCFL

Video	
VGA	Analog 0.7Vp-p

Video Option	
DVI	DVI-D single link
HDMI	HDMI 1.2 / HDCP 1.1
Composite (BNC)	NTSC & PAL
S-Video (4-pin)	NTSC & PAL

Audio	
Audio input :	
Connector	3.5mm stereo jack
Impedance / Power level	30kΩ / 750mV
Audio output :	
Connector	3.5mm stereo jack
Resistance / Power level	30kΩ / 2.8V
Speaker :	
Dual stereo speaker	2W x 2

*When the audio output is connected, speaker output is OFF

Power	Standard
Input	Auto-sensing 100 to 240VAC, 50 / 60Hz
Consumption :	
Screen on	Max. 12W
Power saving mode	Max. 4W
Power button on	Max. 1W

Environment	
Operating temp.	0 to 55°C degree
Storage temp.	-20 to 60°C degree
Operating humidity	20-90%, non-condensing
Storage humidity	5 -90%, non-condensing
Operating altitude	16,000 ft
Non-operating altitude	40,000 ft
Shock	10G acceleration (11ms duration)
Vibration	10-300Hz 0.5G RMS random vibration

Design	ID-15P
Protection	Open frame
Front panel	-
Rear casing	Black, RAL 9005

Mounting	ID-15P
VESA mount	100 x 100 mm
Universal mount	bundled
Desktop stand	-
Wall mount	-

Physical	ID-15P
Product (W x D x H) :	
mm	404 x 53.1 x 310.6
inch	15.9 x 2.1 x 12.2
Net weight	3.5 kg / 7.7 lb

Compliance	
EMC	FCC & CE certified
Safety	CE / LVD certified
Environment	RoHS3 & REACH compliant

VGA / DVI input	
PC signal	1024 x 768 x 60 / 70 / 75Hz 848 x 480 x 60Hz 800 x 600 x 60 / 72 / 75Hz 720 x 400 x 70Hz 640 x 480 x 60 / 72 / 75Hz 640 x 400 x 70Hz 640 x 350 x 70Hz
Audio signal	2ch Linear PCM

HDMI input	
PC signal	Same as VGA
HDMI 1.2	720 x 480 x 50 / 60Hz (576p / 480p)
Audio signal	2ch Linear PCM