



Benefits

- ▶ 1U keyboard drawer
- ▶ 104-key keyboard with either touchpad or trackball
- ▶ Short depth design of 400mm
- ▶ Enhanced aesthetics with molded front panel and two point lock

Options

- MAC or SUN Micro keyboard options available

Product Specifications

Console Port	
KB / MS	USB interface
	Drawer end : attached 6ft USB cable x 2
	Server end : USB type A x 2

Physical	
Dimensions (W x D x H)	Product 442 x 400 x 44 mm 17.4 x 15.7 x 1.73 inch
Weight	Net 8.6 kg / 18.9 lb

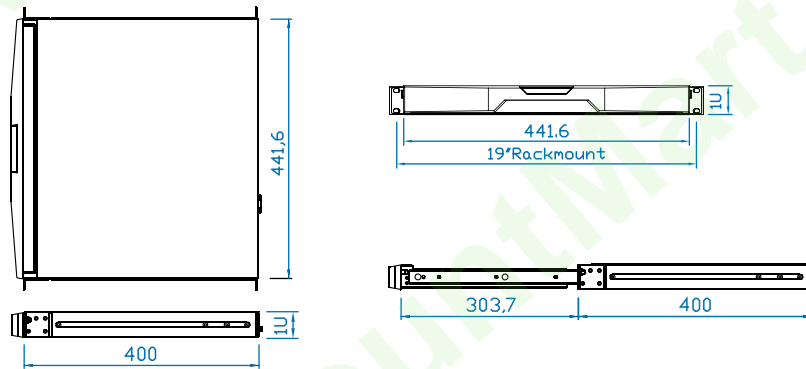
* All dimensions stated are subject to change if options are selected / integrated to base model part codes

Mounting Distance	
Keyboard drawer	410 ~ 640 mm 16.1 ~ 25.2 inch

Environment	
Operating temp.	-20 to 65°C degree
Storage temp.	-20 to 60°C degree
Operating humidity	20~90%, non-condensing
Storage humidity	5 ~90%, non-condensing
Operating altitude	16,000 ft
Non-operating altitude	40,000 ft
Shock	10G acceleration (11ms duration)
Vibration	10~300Hz 0.5G RMS random vibration

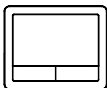
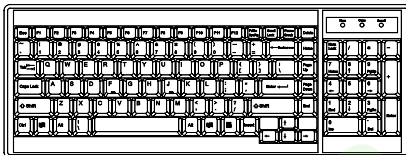
Compliance	
EMC	FCC & CE certified
Safety	CE / LVD certified
Environment	RoHS3 & REACH compliant

Diagrams (mm)

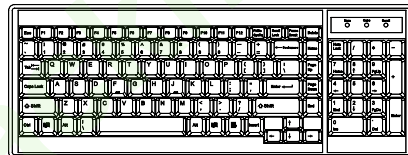


Standard Keyboard

N keyboard integrated with touchpad



B keyboard integrated with trackball



Supporting layouts

America United States

EMEA United Kingdom Germany France Spain Italy

Asia Japan Korea

Keyboard Options

* US layout only

Mn Mac keyboard with touchpad



Mb Mac keyboard with trackball

Sn SUN keyboard with touchpad

Sb SUN keyboard with trackball

