

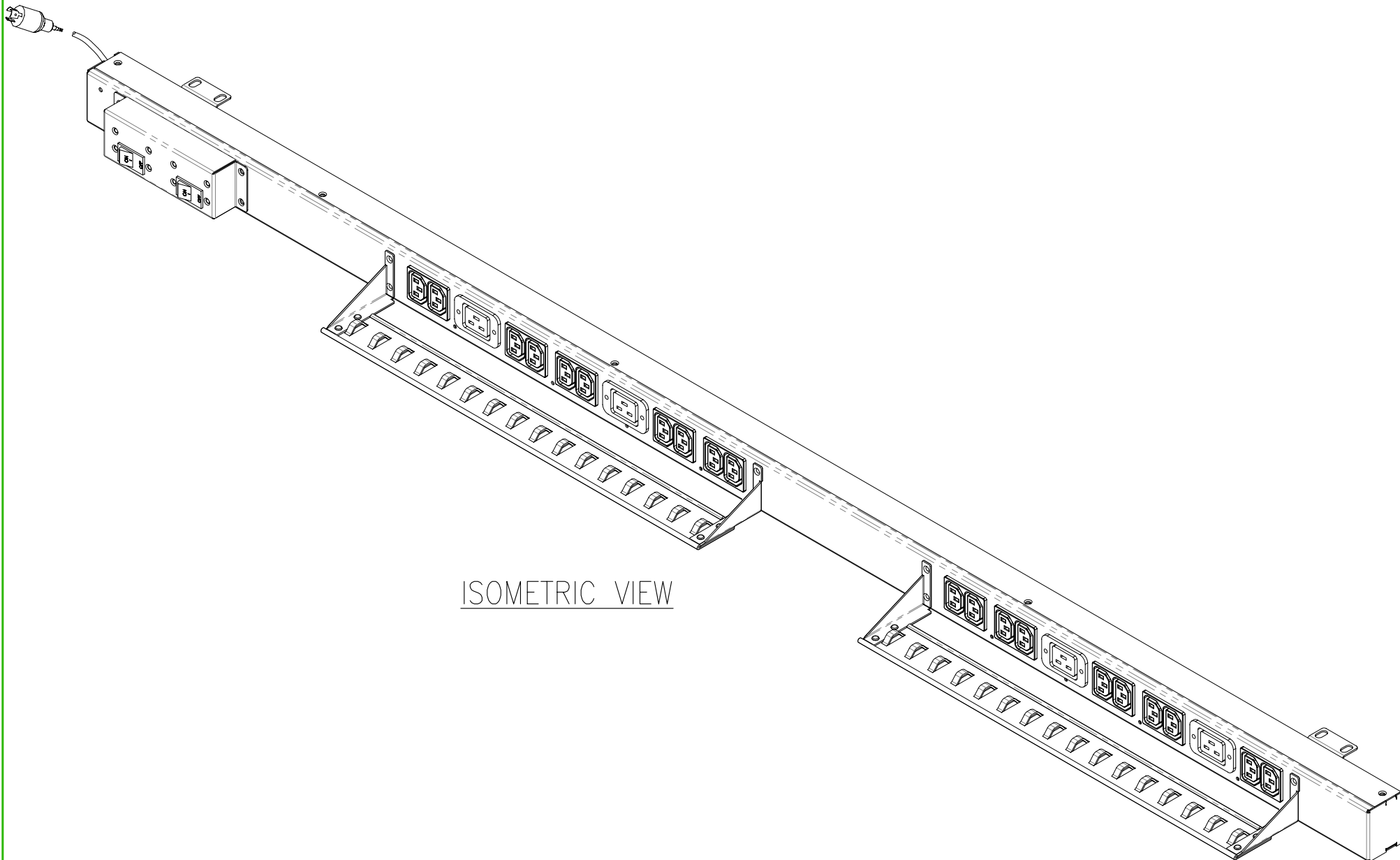
NOTES:

1. INSTALLATION SHALL COMPLY WITH ALL APPLICABLE NATIONAL, STATE AND LOCAL CODES.
2. SEE PRODUCT DOCUMENTATION FOR FURTHER INFORMATION
3. UNLESS OTHERWISE SPECIFIED, ALL DIMENSIONS ARE IN MILLIMETERS [INCHES].
4. UNIVERSAL MOUNTING BRACKET IS AN ALTERNATIVE MOUNTING METHOD TO THE TOOLLESS MOUNT FOR NON SCHNEIDER ELECTRIC RACKS.
5. BRACKET KITS TO MOUNT TO SPECIFIC COMPETITORS RACKS ARE AVAILABLE AS OPTIONS.
6. NET WEIGHT IS 5.57 KG [12.25 LBS].

Output:
200-240 VAC
50/60 Hz
MAX 24 AMPS
16 MAX AMPS PER BANK

VIEW F

RA5024-C-30A-L630



ISOMETRIC VIEW

NOTES:
1. SEE SHEET 1

RA5024-C-30A-L630

 **Synergy Global Technology Inc**
www.RackmountMart.com