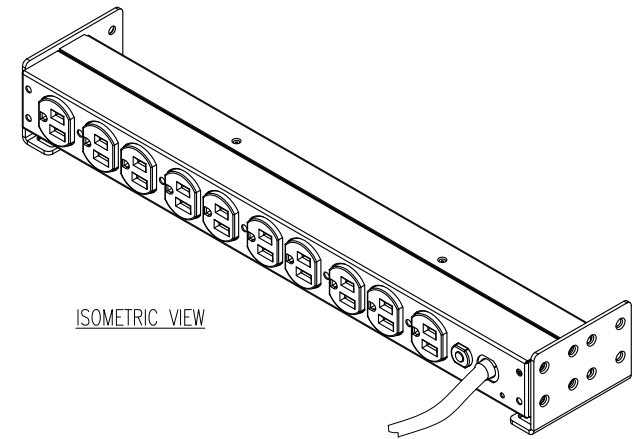
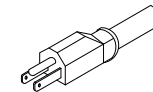


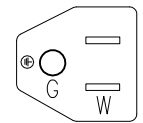
OPTION 1 – VERTICAL MOUNTING



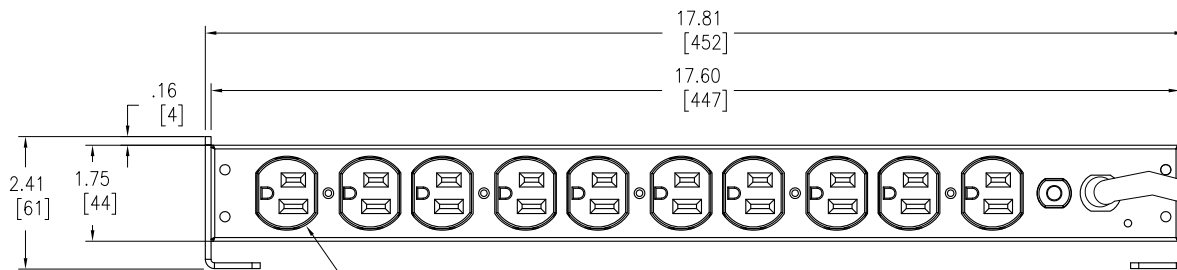
ISOMETRIC VIEW



POWER CORD LENGTH IS 12 FEET (3660 MM)



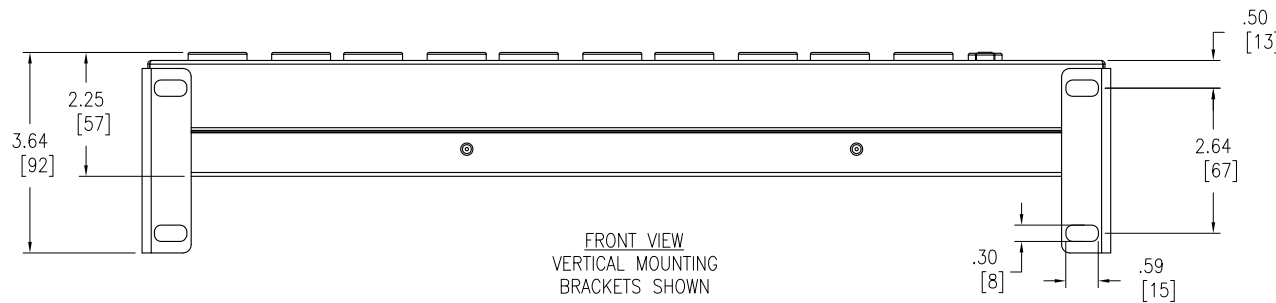
VIEW A
(NEMA 5-15P)
ENLARGED VIEW



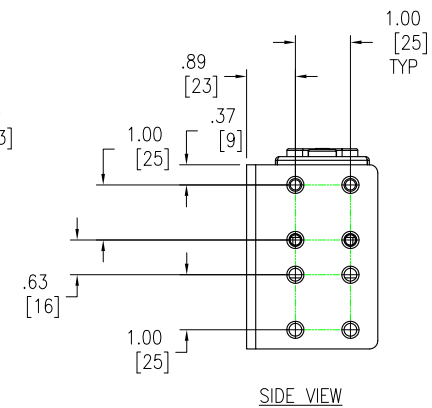
(10) NEMA 5-15R
OUTPUT CONNECTIONS

TOP VIEW

SEE VIEW A



FRONT VIEW
VERTICAL MOUNTING
BRACKETS SHOWN



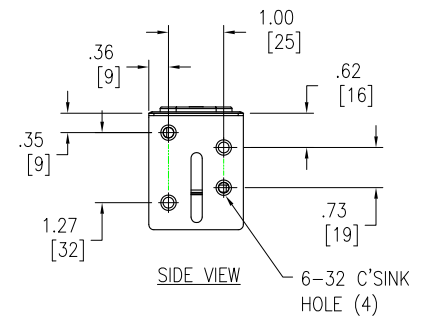
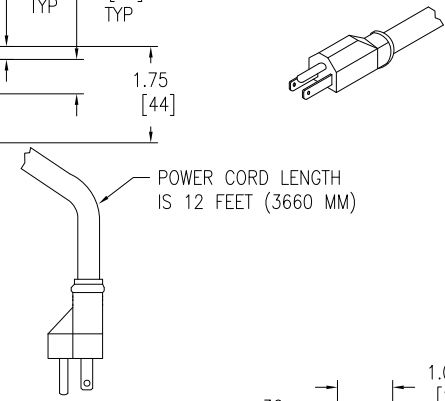
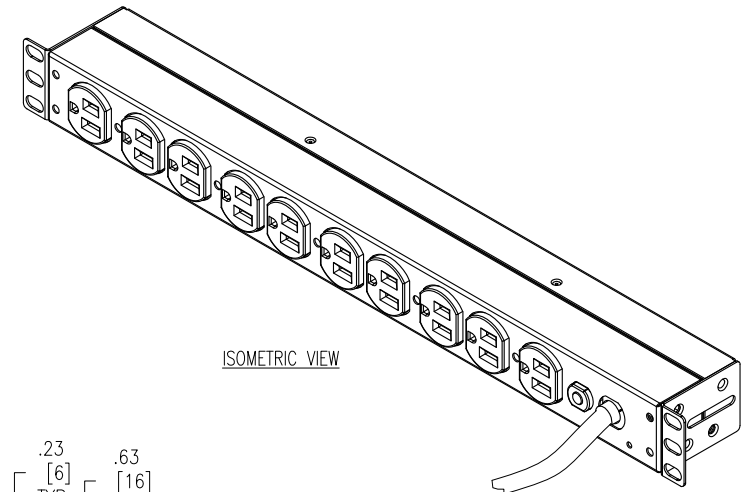
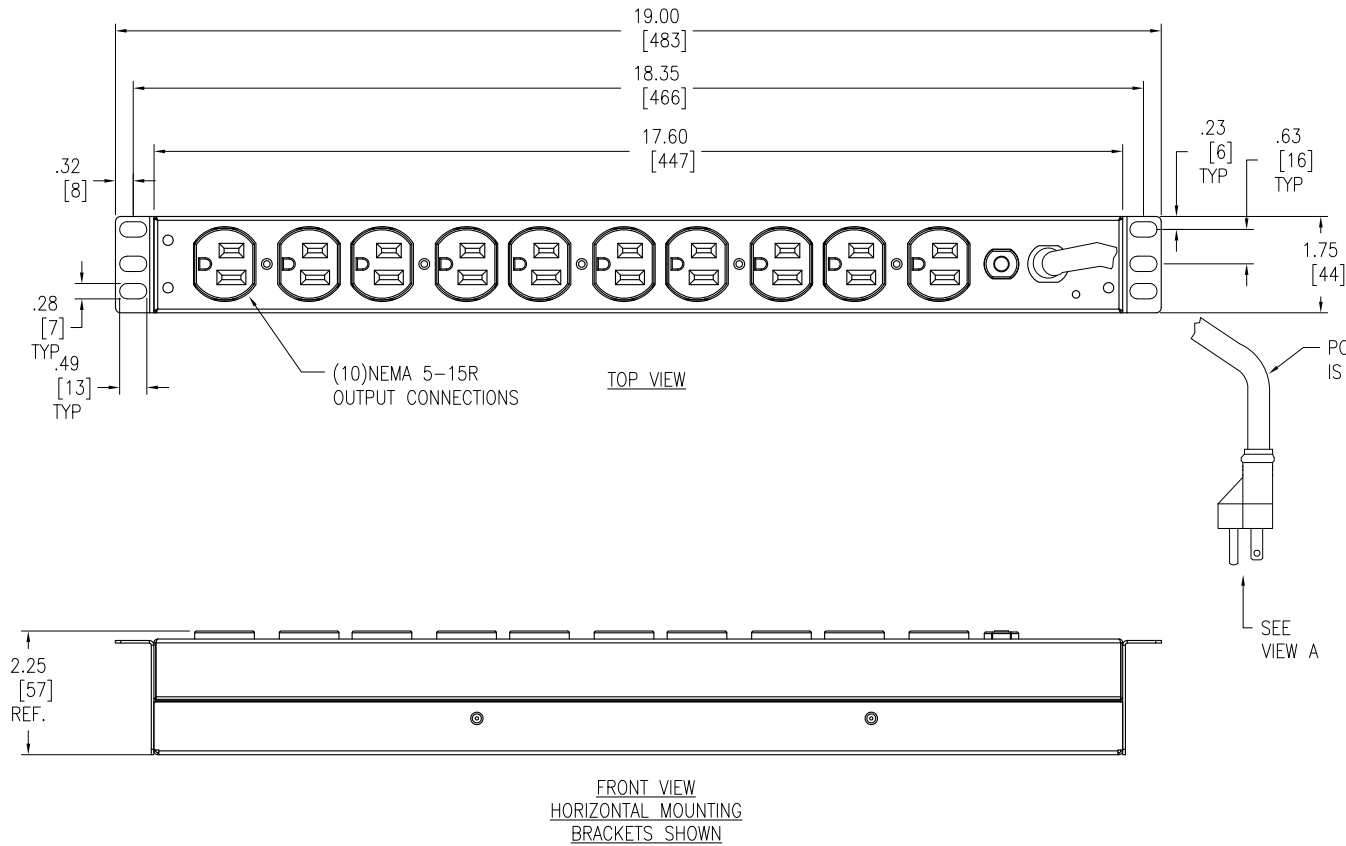
SIDE VIEW

NOTES:

1. INSTALLATION SHALL COMPLY WITH ALL APPLICABLE NATIONAL, STATE AND LOCAL CODES.
2. PLEASE REFER TO PRODUCT DOCUMENTATION FOR FURTHER INFORMATION.
3. UNLESS OTHERWISE SPECIFIED ALL DIMENSIONS ARE IN INCHES [MILLIMETERS].
4. NET WEIGHT IS 4.82 LBS, [2.19 kg].
5. BRACKET KITS TO MOUNT TO SPECIFIC COMPETITORS RACKS ARE AVAILABLE AS OPTIONS.

RA5110-515-15A-515

OPTION 2 – HORIZONTAL MOUNTING



NOTES:

1. INSTALLATION SHALL COMPLY WITH ALL APPLICABLE NATIONAL, STATE AND LOCAL CODES.
2. PLEASE REFER TO PRODUCT DOCUMENTATION FOR FURTHER INFORMATION.
3. UNLESS OTHERWISE SPECIFIED ALL DIMENSIONS ARE IN INCHES [MILLIMETERS].
4. NET WEIGHT IS 4.82 LBS, [2.19 kg].
5. BRACKET KITS TO MOUNT TO SPECIFIC COMPETITORS RACKS ARE AVAILABLE AS OPTIONS.

RA5110-515-15A-515