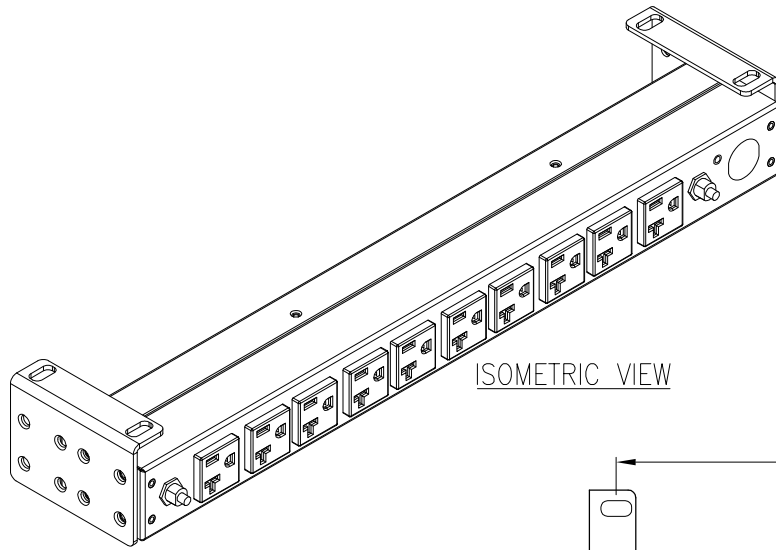
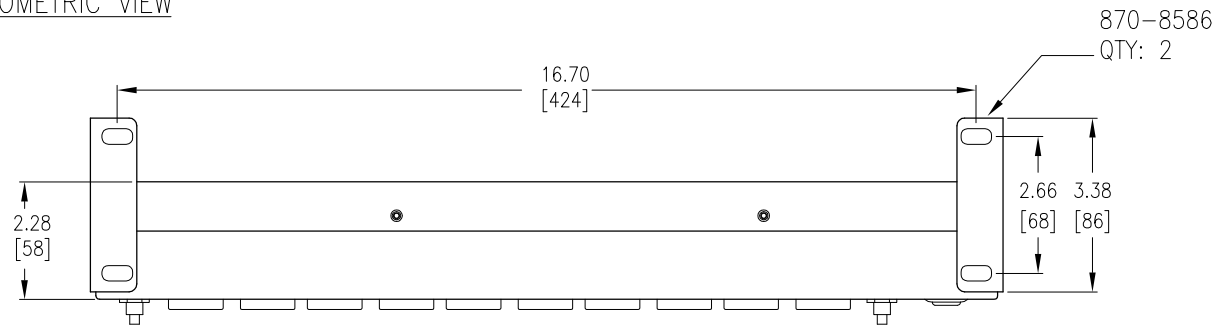


VERTICAL MOUNTING

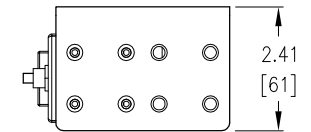
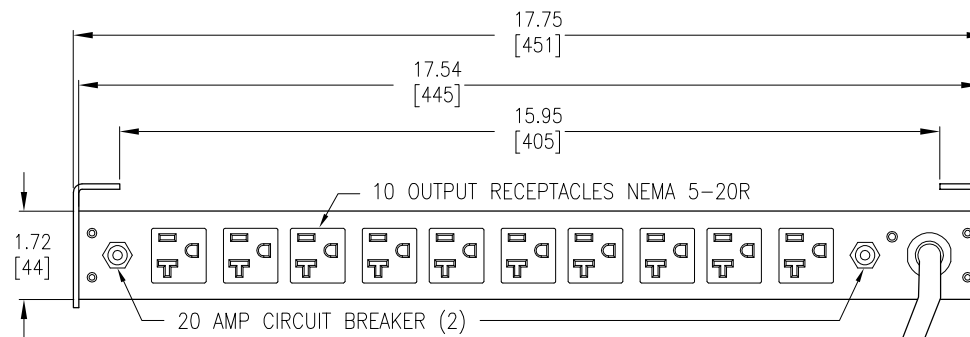
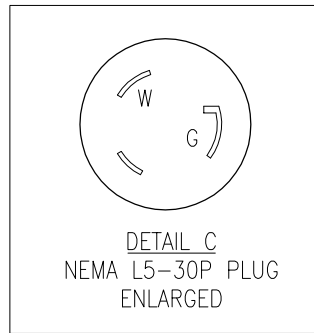
(ANY STANDARD EIA-310 RACK OR ENCLOSURE)



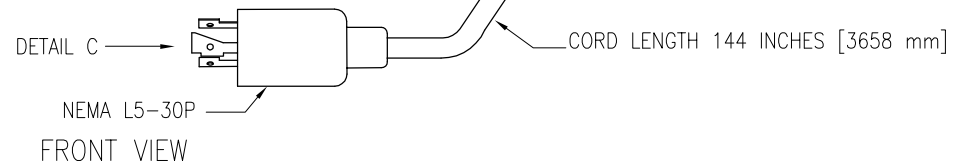
ISOMETRIC VIEW



TOP VIEW



SIDE VIEW



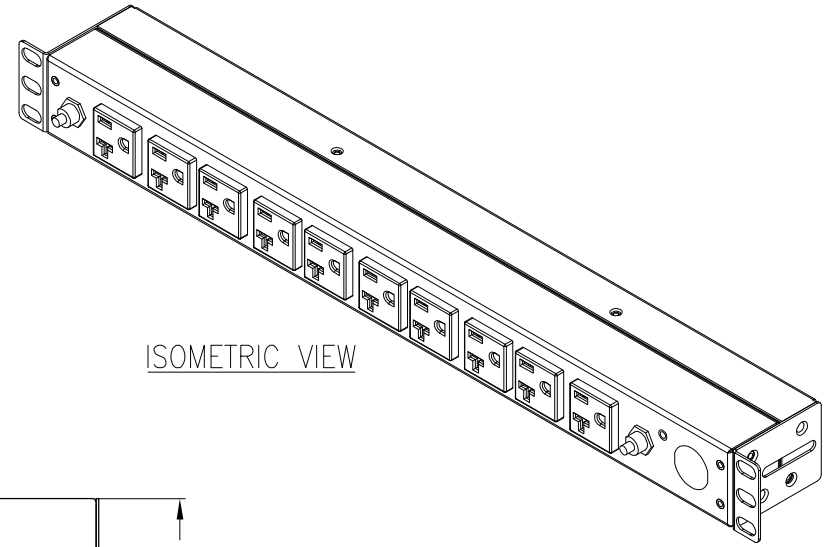
NOTES:

1. ALL DIMENSIONS ARE IN INCHES [MILLIMETERS]
2. UNIT WEIGHT = 5.5 LBS [2.5 KG]
3. BRACKET KITS TO MOUNT TO SPECIFIC COMPETITORS RACKS ARE AVAILABLE AS OPTIONS.
4. INSTALLATION MUST COMPLY WITH ALL APPLICABLE NATIONAL AND LOCAL CODES.

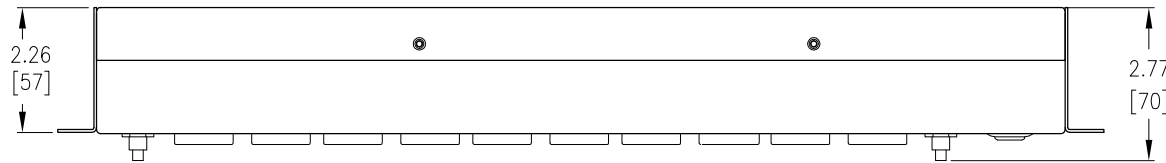
RA5110-520-30A-L530

HORIZONTAL MOUNTING

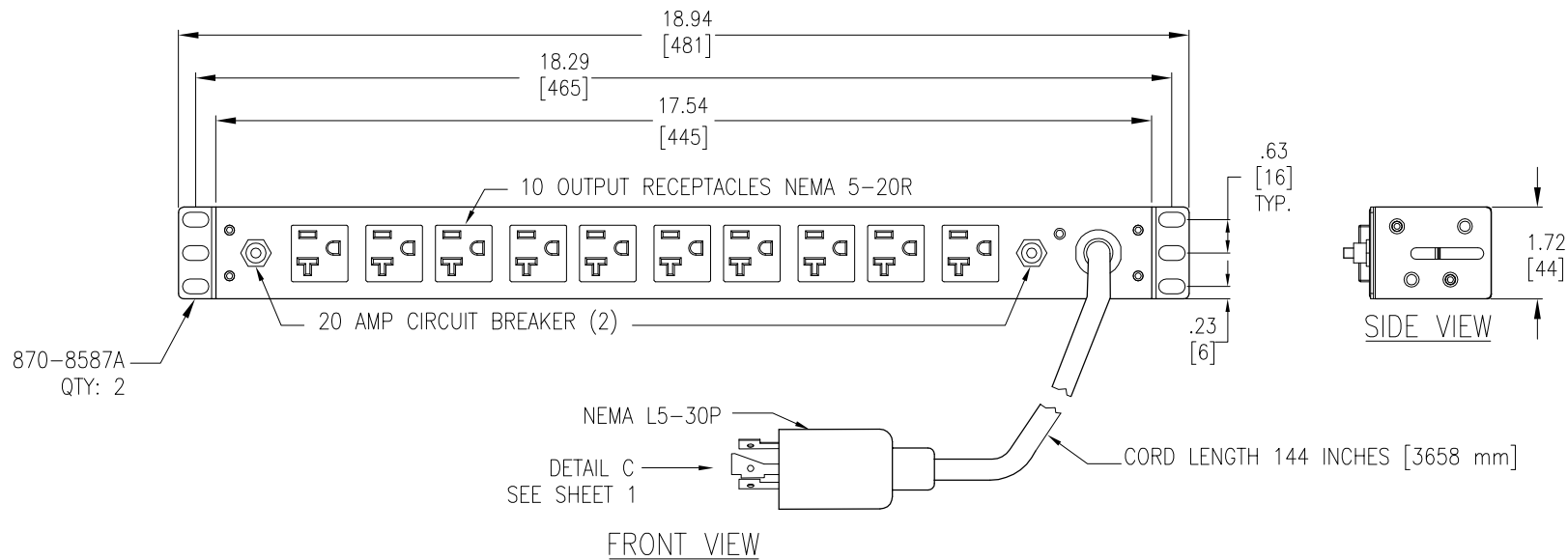
(ANY STANDARD EIA-310 RACK OR ENCLOSURE)



ISOMETRIC VIEW



TOP VIEW



FRONT VIEW

NOTES:

1. ALL DIMENSIONS ARE IN INCHES [MILLIMETERS]
2. BRACKET KITS TO MOUNT TO SPECIFIC COMPETITORS RACKS ARE AVAILABLE AS OPTIONS.
3. INSTALLATION MUST COMPLY WITH ALL APPLICABLE NATIONAL AND LOCAL CODES.

RA5110-520-30A-L530