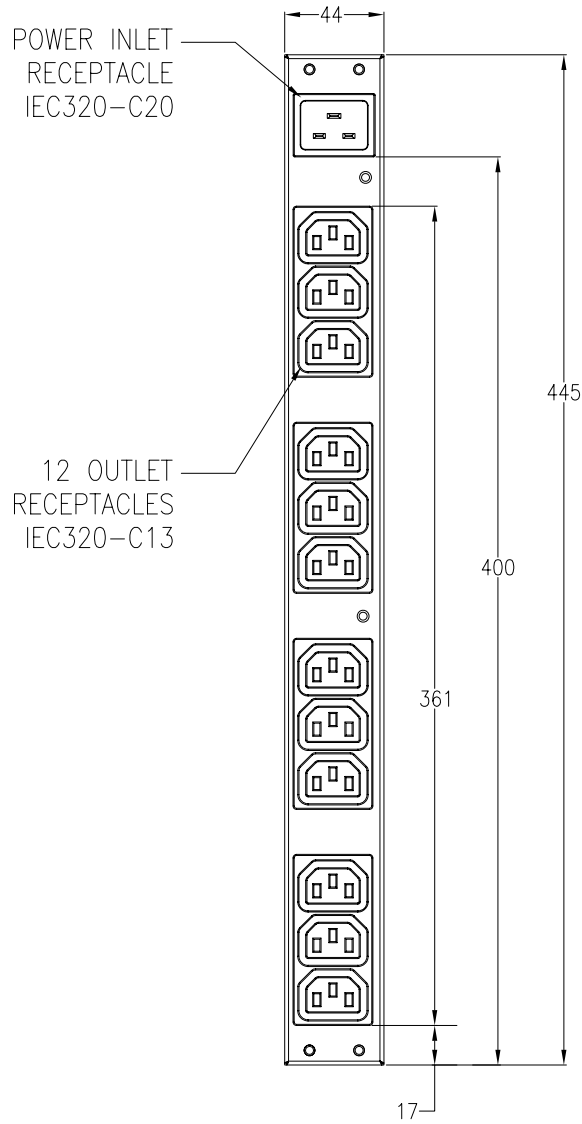
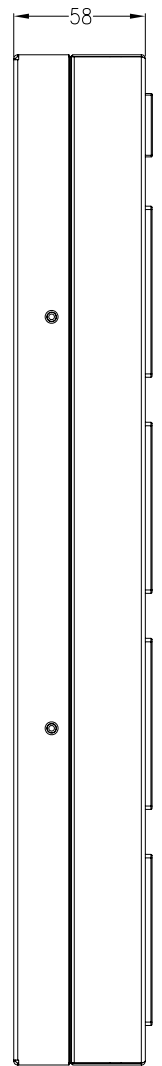


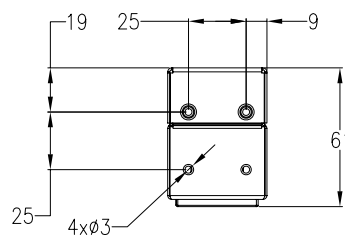
ISOMETRIC VIEW



FRONT VIEW



SIDE VIEW



TOP VIEW

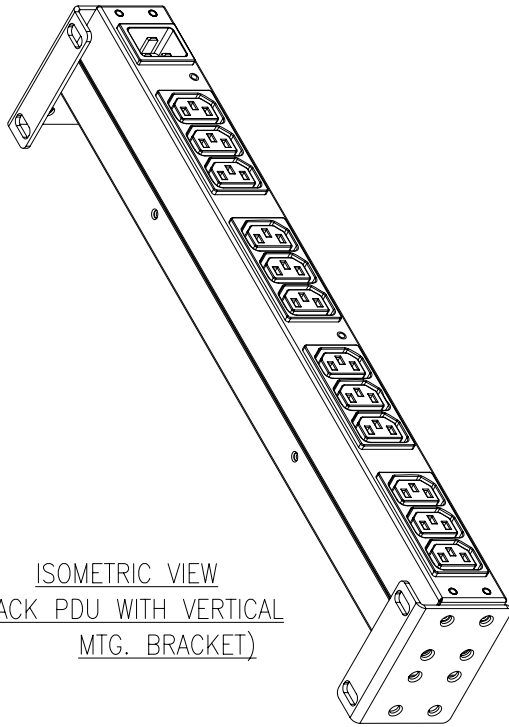
NOTES:

1. ALL DIMENSIONS ARE IN MILLIMETERS.
2. NET WEIGHT IS 2.05 kg.
3. LENGTH OF THE CORD IS 2500 mm.
4. SHIPPED WITH TWO DIFFERENT SETS OF MOUNTING BRACKETS (FOR HORIZONTAL & VERTICAL MOUNTING).
5. INSTALLATION MUST COMPLY WITH ALL APPLICABLE NATIONAL AND LOCAL ELECTRICAL REGULATIONS.

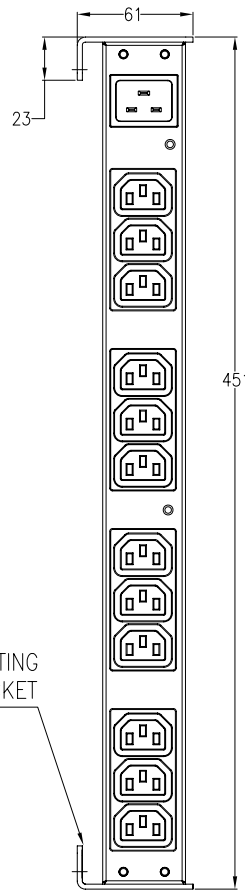
**RA5112-C13-16A-C20**

## OPTION-1: VERTICAL MOUNTING

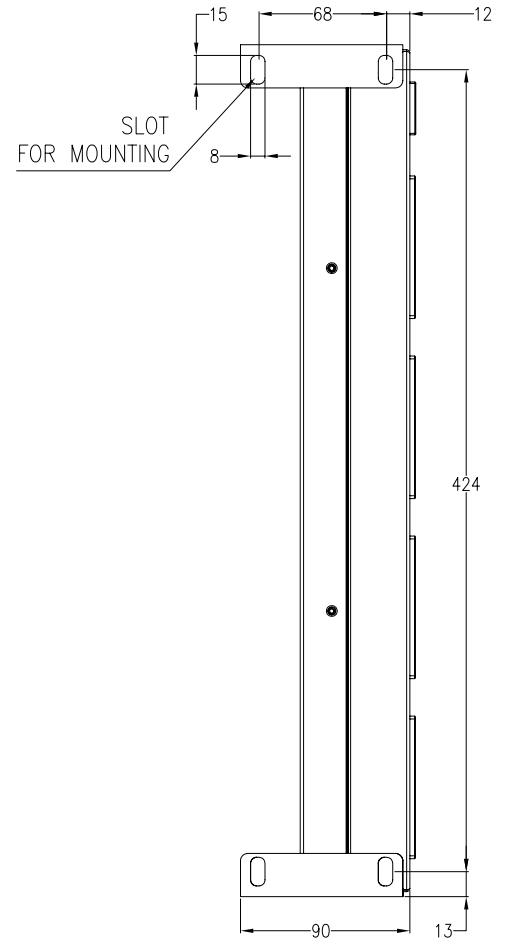
ISOMETRIC VIEW  
(RACK PDU WITH VERTICAL  
MTG. BRACKET)



MOUNTING  
BRACKET



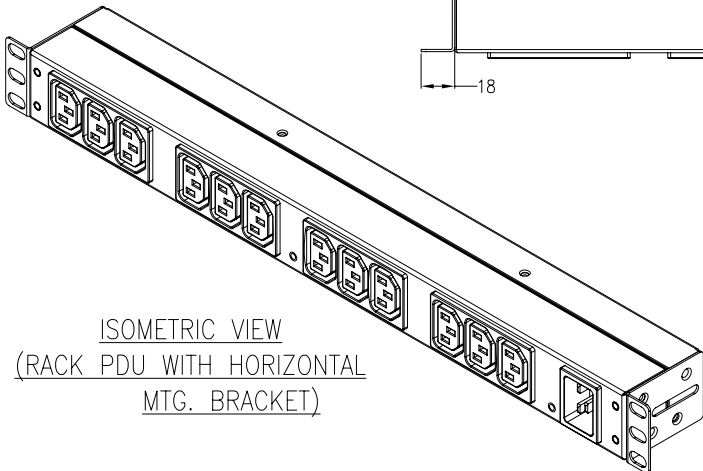
FRONT VIEW



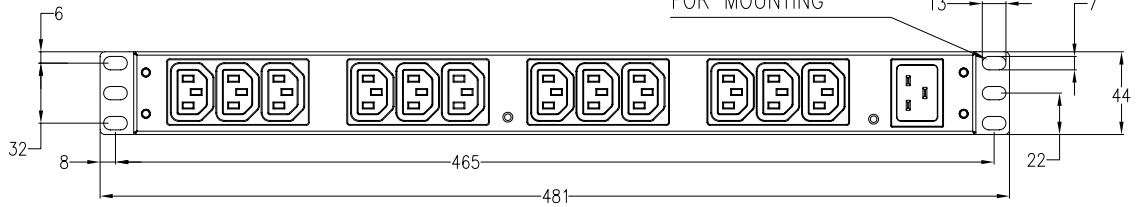
SIDE VIEW

## OPTION-2: HORIZONTAL MOUNTING

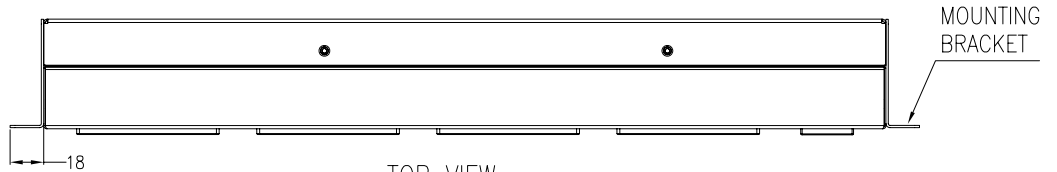
ISOMETRIC VIEW  
(RACK PDU WITH HORIZONTAL  
MTG. BRACKET)



SLOT  
FOR MOUNTING



FRONT VIEW



TOP VIEW

MOUNTING  
BRACKET

### NOTES:

1. ALL DIMENSIONS ARE IN MILLIMETERS.
2. INSTALLATION MUST COMPLY WITH ALL APPLICABLE NATIONAL AND LOCAL ELECTRICAL REGULATIONS.

**RA5112-C13-16A-C20**