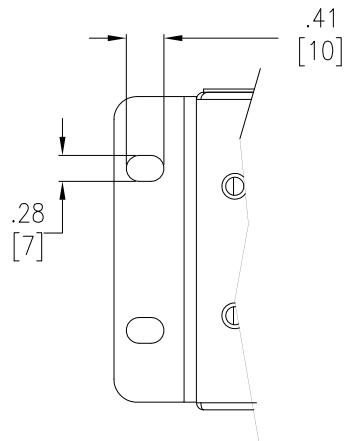


NOTES:

1. INSTALLATION SHALL COMPLY WITH ALL APPLICABLE NATIONAL, STATE AND LOCAL CODES.
2. PLEASE REFER TO APC PRODUCT MANUAL.
3. ALL DIMENSIONS ARE IN INCHES [MILLIMETERS].
4. NET WEIGHT IS 14.00 LBS, [6.36 kg].
5. BRACKET KITS TO MOUNT TO SPECIFIC COMPETITORS RACKS ARE AVAILABLE AS OPTIONS.

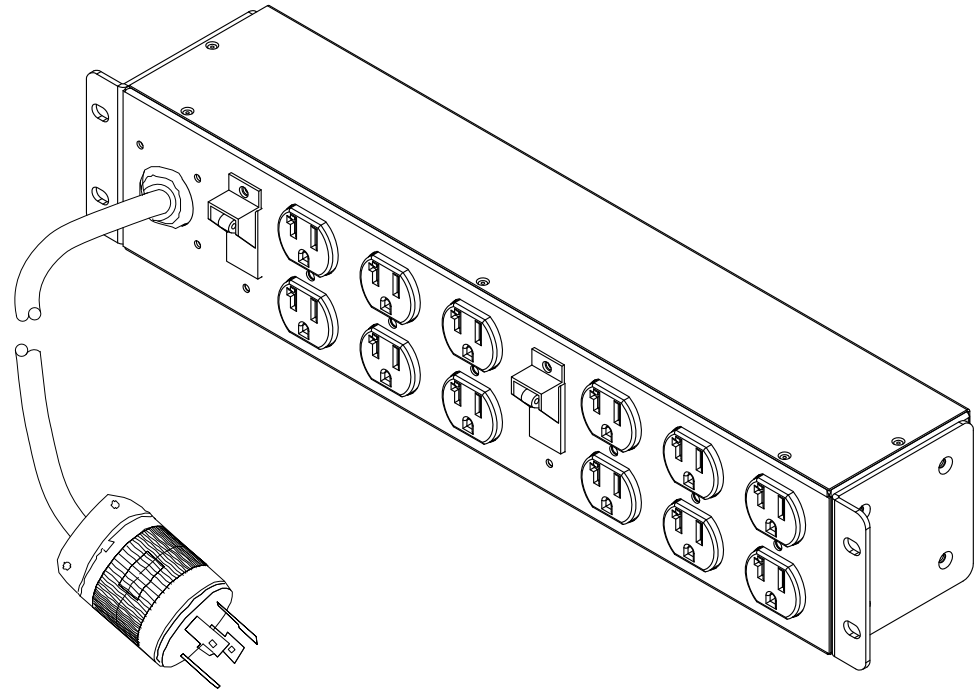
**RA5212-520-30A-L143**



VIEW A (ENLARGED)



VIEW B  
(NEMA L14-30 PLUG ENLARGED)



ISOMETRIC VIEW

**RA5212-520-30A-L143**