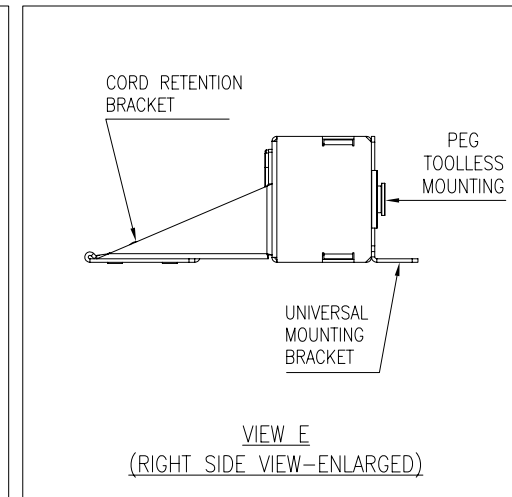
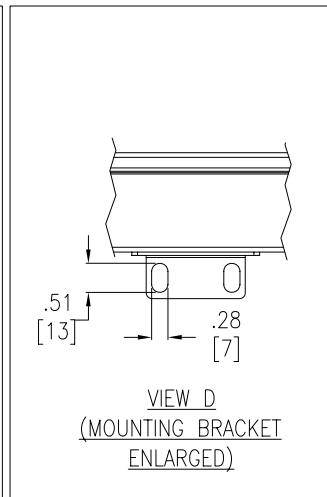
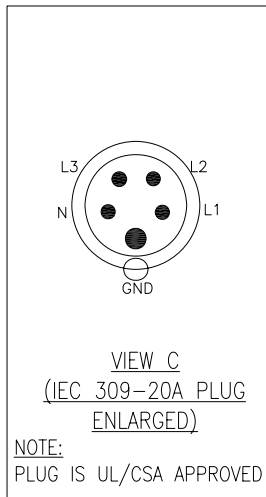
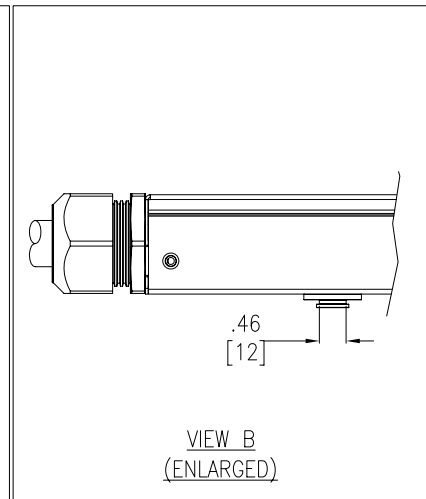
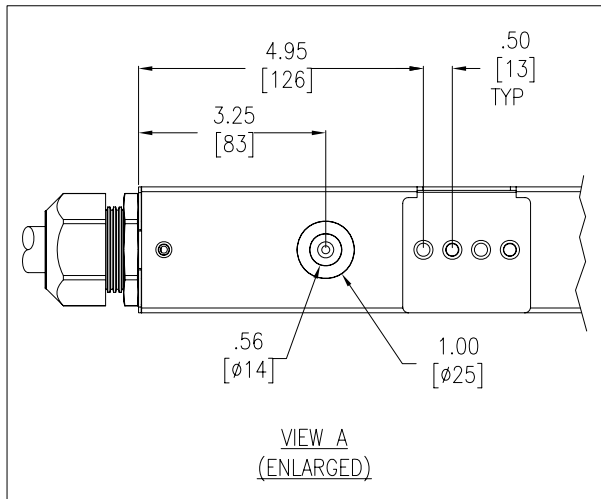


NOTES:

1. ALL DIMENSIONS ARE IN INCHES [MILLIMETERS].
2. NET WEIGHT IS 12.37 LBS [5.61kg]
3. UNIVERSAL MOUNTING BRACKET IS AN ALTERNATIVE MOUNTING METHOD TO THE TOOLLESS MOUNT FOR NON APC RACKS.
4. BRACKET KITS TO MOUNT TO SPECIFIC COMPETITORS RACKS ARE AVAILABLE AS OPTIONS.
5. INSTALLATION MUST COMPLY WITH ALL APPLICABLE NATIONAL AND LOCAL CODES.

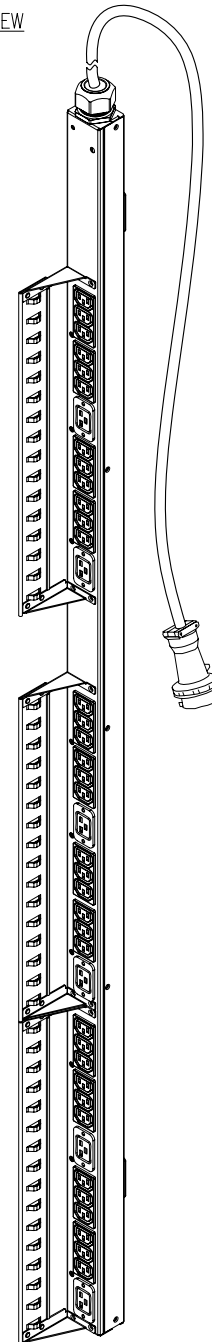
RAH5042-C-20A-IEC



NOTES:

1. ALL DIMENSIONS ARE IN INCHES [MILLIMETERS].
2. INSTALLATION MUST COMPLY WITH ALL APPLICABLE NATIONAL AND LOCAL CODES.

ISOMETRIC VIEW



RA5042-C-20A-IEC

Synergy Global Technology Inc
www.RackmountMart.com