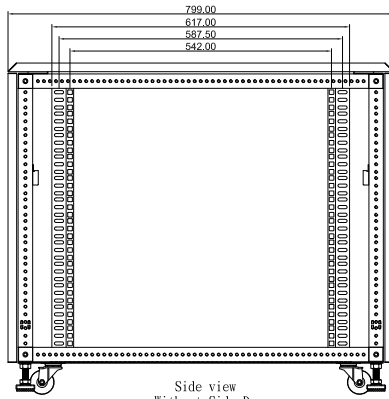
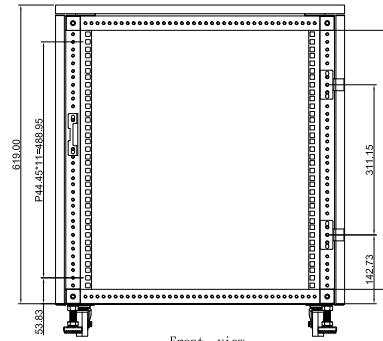


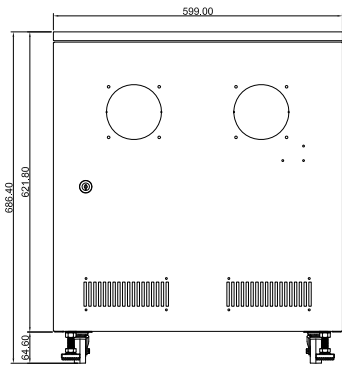
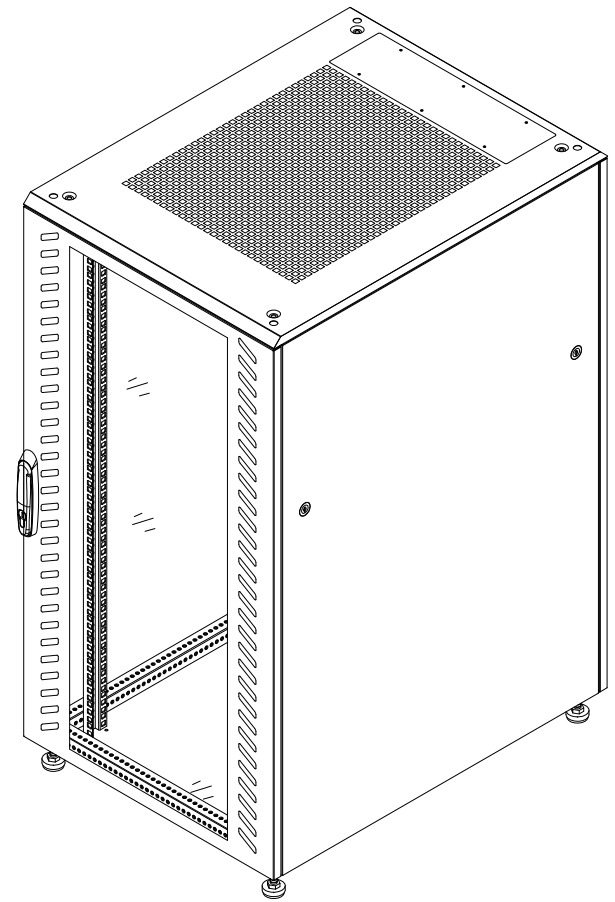
Rear view
Without Rear Door



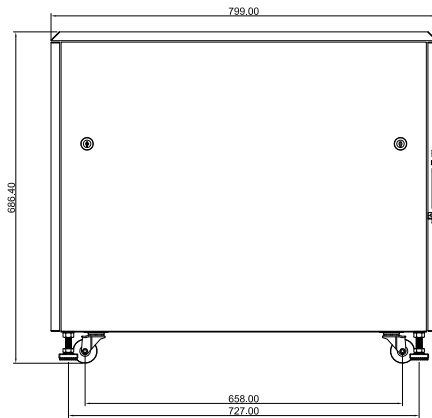
Side view
Without Side Door



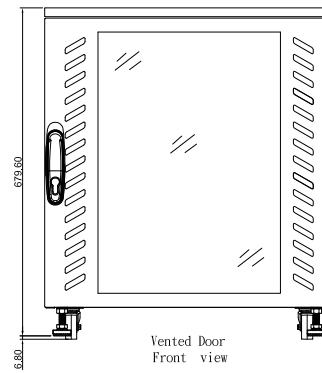
Front view
Without Front Door



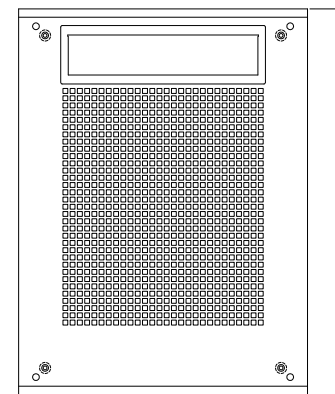
Rear view



Side view



Vented Door
Front view



Top view

W600xD800xH12U

Synergy Global Technology Inc
www.RackmountMart.com

MOD. NO. CR1046		DRAWING TITLE	
APPROVED BY	DATE	FINISH	DRAWING NO.
CHECKED BY	DATE	SCALE	頁次 SHEET
DESIGNED BY	DATE	材料規格 MTL SPEL	頁次 SHEET
DRAWN BY	DATE	100.11.15	A1