

LCD1U15-11/17-06/19-02 1U Rackmount Short Depth LCD Keyboard KVM Drawer



Options



BNC + S-Video



DVI-D



DC Power



Touch Screen



Audio

BNC + S-Video



Touchscreen - USB



DVI-D



Touchscreen - Serial



DC Power

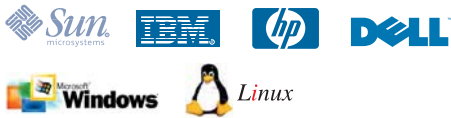
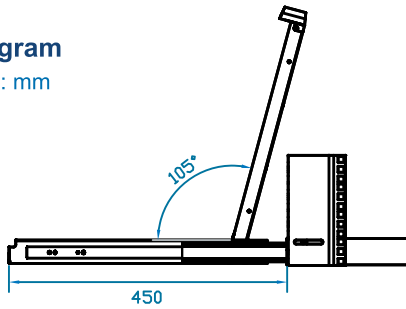


Audio



Diagram

Unit : mm



****With touchscreen option, the height of 17-06/19-02 will be changed from 1U to 1.5U**

Drawer Features & Options

- 1U rackmount drawer with either 15", 17" or 19" LCD
- Combo interface either PS/2 or USB input to the LCD drawer
- Multiple keyboard language selections with either touchpad or trackball
- Slide rails with fixed positions to prevent drawer movement when typing
- Enhanced aesthetics with new molded front panel and two point lock

LCD Drawer Benefits

- ▶ Short depth design of 480mm (18.9") only
- ▶ Depth will suit a 600mm rack application
- ▶ "One Man" installation slides for easy, quick installation
- ▶ 104 key notepad keyboard with full numerical pad

Monitor

Grade A 15", 17", 19" industrial TFT LCD panel

- 15" 1024 x 768 LCD with 250 nit brightness and 700:1 contrast ratio typical
- 17" 1280 x 1024 LCD with 250 nit brightness and 1000:1 contrast ratio typical
- 19" 1280 x 1024 LCD with 250 nit brightness and 1000:1 contrast ratio typical

Dimensions

Model	Product Dimension (W x D x H)	Net Weight
LCD1U15-11	442 x 480 x 44 mm 17.4 x 18.9 x 1.73 inch	15 kg / 33 lbs
LCD1U17-06	442 x 480 x 44 mm 17.4 x 18.9 x 1.73 inch	16 kg / 35 lbs
LCD1U19-02	442 x 480 x 44 mm 17.4 x 18.9 x 1.73 inch	17 kg / 37 lbs

Model Selection

Base Model	15" LCD Series	17" LCD Series	19" LCD Series
<ul style="list-style-type: none"> • Single port w/o KVM • Combo interface 	LCD1U15-11	LCD1U17-06	LCD1U19-02

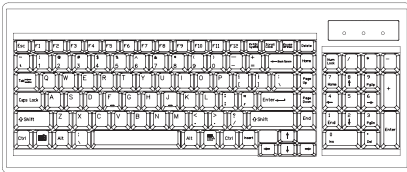


Keyboard Selection

Supporting layouts



n N keyboard integrated with touchpad



b N keyboard integrated with trackball

