



**Synergy Global Technology Inc**

*[www.RackmountMart.com](http://www.RackmountMart.com)*

Toll Free: 1-888-865-6888

Tel: 510-226-8368 Fax: 510-226-8968

Email: [sales@RackmountMart.com](mailto:sales@RackmountMart.com)

# **LCD1U15-18/17-33/19-24/19-26**

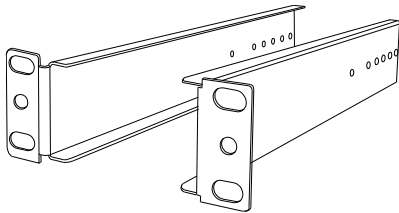
**Single Rail Console with Modular KVM Switch  
User Manual**

Rev 4.0

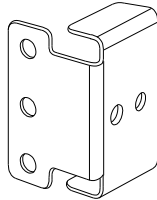
## Packing List

The complete LCD1U15-18 / 17-33 / 19-24 single rail console with modular KVM switch package consist of:

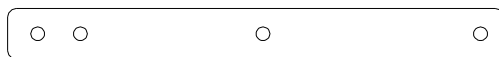
- One 1U 19" rack mount console
- Two rails with front and rear bracket
- Two extended brackets



- Two Short brackets



- Two bracket attachments



**LCD1U15-18 / 17-33  
bracket attachment**



**LCD1U19-24  
bracket attachment**

- One 1.8 m KVM cable (HDDDB-15 / VGA + PS/2 x 2)
- One USB cable
- One DC power adapter
- One power cord
- One user manual CD
- One quick installation guide
- Two keys
- Six flat screws (for rail mount to console body)
- Six screws (for replace extended bracket)

The complete LCD1U19-26 single rail console with modular KVM switch package consist of:

- One 1U 19" rack mount console

- Two rails with front and rear bracket
- One 1.8 m KVM cable (HDDDB-15 / VGA + PS/2 x 2)
- One USB cable
- One DC power adapter
- One power cord
- One user manual CD
- One quick installation guide
- Two keys
- Six flat screws (for rail mount to console body)

Check to make sure that the unit was not damaged in shipping. If you encounter a problem, contact your dealer.

Please read this manual thoroughly, and follow the installation and operation procedures carefully to prevent any damage to the product, and / or any of the devices that connect to it.

## **Safety Instructions**

1. Please read these safety instructions carefully.
2. Please keep this User's Manual for later reference.
3. Please disconnect this equipment from AC outlet before cleaning. Don't use liquid or sprayed detergent for cleaning. Use moisture sheet or clothe for cleaning.
4. For pluggable equipment, the socked-outlet shall be installed near the equipment and shall be easily accessible.
5. Please keep this equipment from humidity.
6. Lay this equipment on a reliable surface when install. A drop or fall could cause injury.
7. Do not leave this equipment in an environment unconditioned, storage temperature above 60 °C, it may damage the equipment.
8. The opening on the enclosure is for air convection hence the equipment from overheating. **DO NOT COVER THE OPENING.**
9. Make sure the voltage of the power source connect the equipment to the power outlet.
10. Please keep the power cord such a way that people can not step on it. Do not place anything over power cord. The power cord must rate for the voltage and current marked on the product's electrical ratings label. The voltage and current

rating of the cord should be greater than the voltage and the current rating marked on the product.

11. All cautions and warning on the equipment should be noted.
12. If the equipment is not in use for long time, disconnect the equipment from mains to avoid being damaged by transient over-voltage.
13. Never pour any liquid into ventilation openings; this could cause fire or electrical shock.
14. Never open the equipment. For safety reason, qualified service personnel should only open the equipment.
15. If one of the following situations arises, get the equipment checked by service personnel.
  - The Power Cord or plug is damaged.
  - Liquid has penetrated into the equipment.
  - The equipment has been exposed to moisture.
  - The equipment has not worked well or you can not get it work according to User's Manual.
  - The equipment has dropped and damaged.
  - If the equipment has obvious signs or breakage.

## Index of Contents

Packing List .....	I
Safety Instructions .....	II
Index of Contents .....	IV
1. General Information .....	1
1.1 Feature .....	1
1.2 Benefits .....	1
1.3 Advantage .....	2
1.4 Product Specification .....	3
1.4.1 LCD1U15-18 Specification .....	3
1.4.2 LCD1U17-33 Specification .....	5
1.4.3 LCD1U19-24 Specification .....	7
1.4.4 LCD1U19-26 Specification .....	9
2. Panel Controls and OSD Function .....	11
2.1 Auto Tune .....	11
2.2 Input Source .....	12
2.3 Brightness .....	12
2.4 Contrast .....	13
2.5 Color .....	13
2.6 Position .....	14
2.7 Language .....	15
2.8 Recall .....	15
2.9 Exit .....	16
2.10 Power Indicator .....	16
3. Installation .....	17
3.1 Install LCD1U15-18/17-33/19-24/19-26 into cabinet .....	17
3.1.1 Notes .....	17
3.1.2 Hardware Kits Contents .....	17
3.1.3 Step A (Install Console) .....	18
3.1.4 Step B (Replace short bracket) .....	21
3.1.5 Step C (Replace extended bracket): .....	22
3.1.6 Unload Steps .....	23
3.2 Install Modular KVM Switch .....	28
3.2.1 Hardware Kits Contents .....	28
3.2.2 Install Modular KVM Switch Step .....	28
3.3 Installing the Video Card and Video Driver .....	30

3.3.1	Configuring the Display Settings .....	30
3.3.2	Connecting the Console.....	31
3.4	Turning on the Console.....	31
3.5	Testing the Console .....	32
4.	KVM Switch .....	32

# 1. General Information

Modularized series Single Rail consoles offer industrial level input solution to optimize your space utilization by controlling your systems in just 1U. With the unique modular design, you can easily integrate more than 17 models of KVM switches with different functions and expand the connections up to 8 levels of the KVM switches.

## 1.1 Feature

- Easy to install, single rail design.
- 15", 17", 19" and 19" wide screen for option
- Support Sun native resolution (LCD1U17-33 / 19-24)
- Support 17 various keyboard languages (increasing)
- Bright Active TFT display
- OSD function for LCD display and KVM switch
- Durable keyboard with touchpad
- Panel protected by tempered glass
- Integration with more than 17 models of KVM switches
- Touch panel and Sun keys (optional)
- With our fully modular IP & CAT5 modules, our customers can create 15 models of KVM Switch from 5 basic models.

## 1.2 Benefits

1. Cost effective solution : With our unique design and all the options, you can easily suffice the demand for your customer at reasonable cost.
2. Time to serve your customer : With the modular KVM, you can easily turn single port console into 8 / 16 / 32 ports console to serve your customer well.
3. Keep low inventory : From the 4 models of consoles and 17 models of KVM switches, IP Module and CAT5 Module, you can create total 72 models in these Series. It is the best solution for inventory control.
4. Easy to maintain : Once the defective comes from the KVM switch, you can just swap the KVM switch module without asking your customer to send the whole console back to you.
5. Save freight cost : Since you have to keep only 4 models of consoles and generate new models by yourself, you can ship all the goods by sea instead of



by air. In case, you run out of the KVM switch stock, it is much cheaper to ship the KVM switch modules by air.

### **1.3 Advantage**

#### **Easy to install:**

With the unique separate rail design. One man can install the modular console easily. In case you need to maintain the console, you can easily uninstall without effecting the server above or below.

#### **Modular KVM switches:**

The user can use modularized series console as single port console or through some simple action and few screws to be 8 / 16 even 32 ports KVM consoles.

#### **Various keyboard language support:**

to fit the demand of each individual countries.

#### **Most LCD size available in the market:**

We offer 15 / 17 / 19" LCD console.

## 1.4 Product Specification

### 1.4.1 LCD1U15-18

Model name	LCD1U15-18
Number of ports	1
Dimension	470.1 x 447.5 x 44 mm / 18.5 x 17.6 x 1.7 inches
Net Weight	12 Kg / 26.46 lbs
Display Size	15 inches
Panel Type	Active Matrix TFT LCD
Resolution Capabilities	Maximum Resolution up to 1024 x 768 (XGA)
Pixel Pitch	Supports 0.297 mm x 0.297 mm
Viewing Angle (CR>10)	Right-Left View 130°(Typ) Up-Down View 100°(Typ)
Contrast Ratio	550 : 1
Brightness	White 250 cd/ m <sup>2</sup>
Back Light	Dual Lamps for Back Light
Supported Colors	16M Colors (6-bit with FRC)
Response Time	Rising Time 2 ms, Decay Time 6 ms
Operating System	Dos, Unix, Linux, OSX, Windows ( XP, 7, 8, Server 2012 R2)
Multi Platform	Support PS/2 and USB
System Cables	VGA + PS/2 x 2 or VGA + USB x 1 cable
Keyboard Mouse	106 key PS/2 keyboard with touch pad
Sync	45 ~ 80 KHz
Power Source	100 ~ 240 VAC input
Power Consumption	10.12W for Panel
Temperature	Operate 0 ~ 50°C / 32 ~ 122°F Storage -20 ~ 60°C / -4 ~ 140°F
Humidity	10% ~ 90% RH
Chassis Construction	Heavy duty steel materials
Keyboard Language	USA, UK, German, French, Spanish, Italian, Portuguese, Dutch, Swiss, Belgium, Swedish, Norwegian, Danish, Japan, Taiwan, Russian, Hebrew, Arabic
Certification	CE / FCC, UL / CUL / C-Tick, GOST

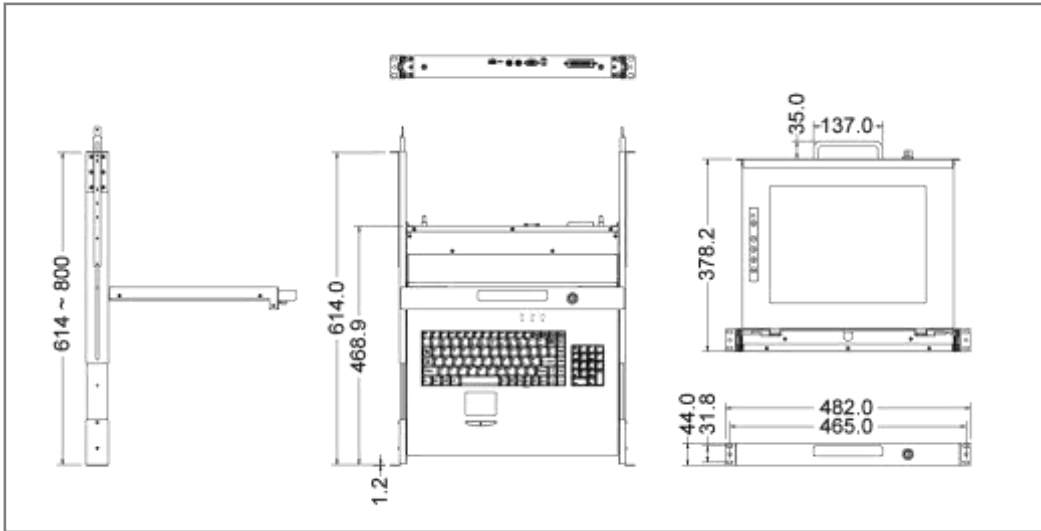


Figure 1-1. LCD1U15-18 Dimension

## 1.4.2 LCD1U17-33

Model name	LCD1U17-33
Number of ports	1
Dimension	470.1 x 447.5 x 44 mm / 18.5 x 17.6 x 1.7 inches
Net Weight	13 Kg / 28.7 lbs
Display Size	17 inches
Panel Type	Active Matrix TFT LCD
Resolution Capabilities	Maximum Resolution up to 1280 x 1024 (SXGA)
Pixel Pitch	Supports 0.264 mm x 0.264 mm
Viewing Angle (CR>10)	Right-Left View 170°(Typ) Up-Down View 160°(Typ)
Contrast Ratio	1000 : 1
Brightness	White 250 cd/ m <sup>2</sup>
Back Light	DualLamps for Back Light
Supported Colors	16.7M Colors (6-bit with FRC)
Response Time	Rising Time 3.8 ms, Decay Time 1.2 ms
Operating System	Dos, Unix, Linux, OSX, Windows ( XP, 7, 8, Server 2012 R2)
Multi Platform	Support PS/2 and USB
System Cables	VGA + PS/2 x 2 or VGA + USB x 1 cable
Keyboard Mouse	106 key PS/2 keyboard with touch pad
Sync	45 ~ 80 KHz
Power Source	100 ~ 240 VAC input
Power Consumption	9.91W for Panel
Temperature	Operate 0 ~ 50°C / 32 ~ 122°F Storage -20 ~ 60°C / -4 ~ 140°F
Humidity	10% ~ 90% RH
Chassis Construction	Heavy duty steel materials
Keyboard Language	USA, UK, German, French, Spanish, Italian, Portuguese, Dutch, Swiss, Belgium, Swedish, Norwegian, Danish, Japan, Taiwan, Russian, Hebrew, Arabic
Certification	CE / FCC, UL / CUL / C-Tick, GOST

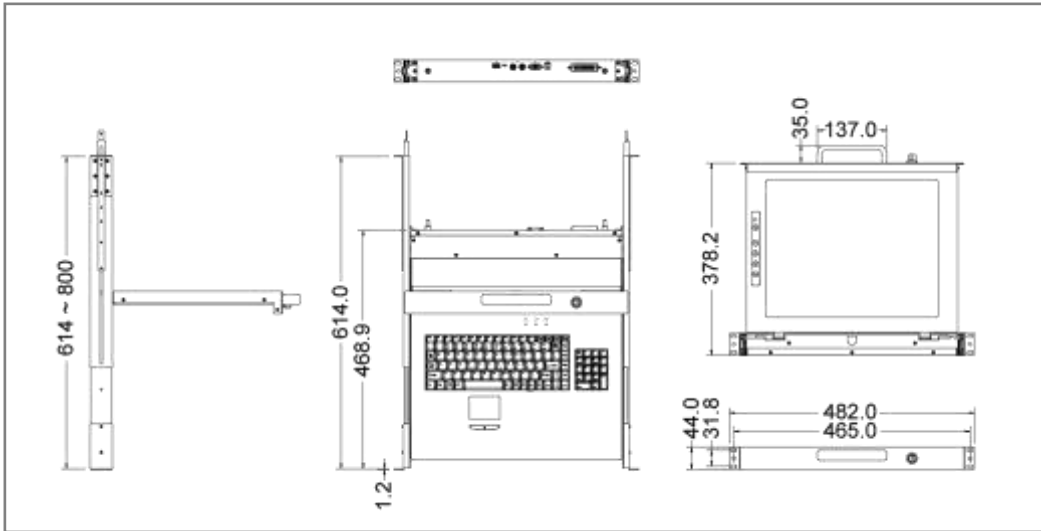


Figure 1-2. LCD1U17-33 Dimension

### 1.4.3 LCD1U19-24

Model name	LCD1U19-24
Number of ports	1
Dimension	520.1 x 447.5 x 44 mm / 24.5 x 17.6 x 1.7 inches
Net Weight	14 Kg / 30.9 lbs
Display Size	19 inches
Panel Type	Active Matrix TFT LCD
Resolution Capabilities	Maximum Resolution up to 1280 x 1024 (SXGA)
Pixel Pitch	Supports 0.098 mm x 0.294 mm
Viewing Angle (CR>10)	Right-Left view 170°(Typ) Up-Down View 160°(Typ)
Contrast Ratio	1000 : 1
Brightness	White 250 cd/ m <sup>2</sup>
Back Light	Dual Lamps for Back Light
Supported Colors	16.7M Colors (6-bit with FRC)
Response Time	Rising Time 3.6 ms, Decay Time 1.4 ms
Operating System	Dos, Unix, Linux, OSX, Windows ( XP, 7, 8, Server 2012 R2)
Multi Platform	Support PS/2 and USB
System Cables	VGA + PS/2 x 2 or VGA + USB x 1 cable
Keyboard Mouse	106 key PS/2 keyboard with touch pad
Sync	45 ~ 80 KHz
Power Source	100 ~ 240 VAC input
Power Consumption	11.03W for Panel
Temperature	Operate 0 ~ 50°C / 32 ~ 122°F Storage -20 ~ 60°C / -4 ~ 140°F
Humidity	10% ~ 90% RH
Chassis Construction	Heavy duty steel materials
Keyboard Language	USA, UK, German, French, Spanish, Italian, Portuguese, Dutch, Swiss, Belgium, Swedish, Norwegian, Danish, Japan, Taiwan, Russian, Hebrew, Arabic
Certification	CE / FCC, UL / CUL / C-Tick, GOST

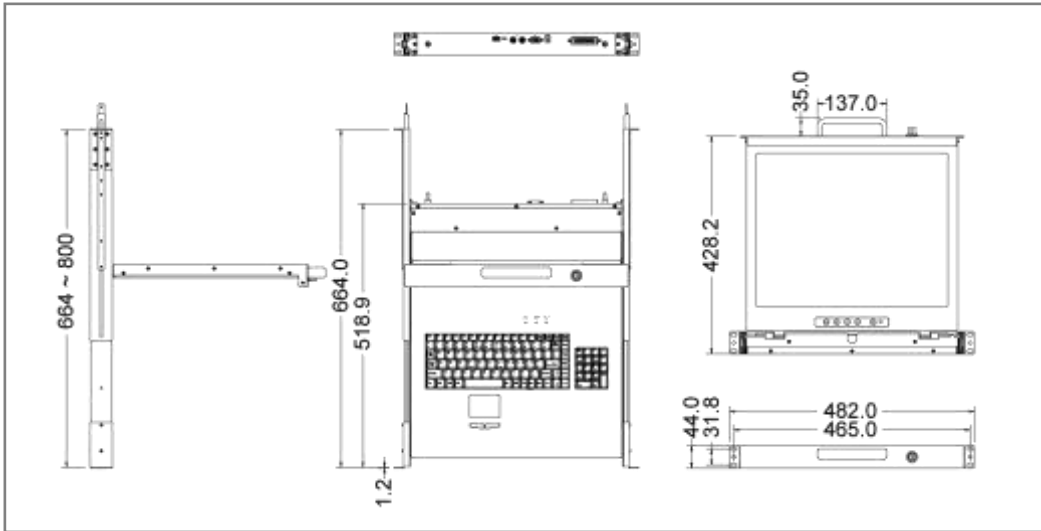


Figure 1-3. LCD1U19-24 Dimension

#### 1.4.4 LCD1U19-26

Model name	LCD1U19-26
Number of ports	1
Dimension	527.2 x 436.4 x 43.8 mm / 20.8 x 17.2 x 1.7 inches
Net Weight	14 Kg / 30.9 lbs
Display Size	19 inches
Panel Type	Active Matrix TFT LCD
Resolution Capabilities	Maximum Resolution up to 1440 x 900 (WXGA)
Pixel Pitch	Supports 0.283 mm x 0.283 mm
Viewing Angle (CR>10)	Right-Left view 90°(Typ) Up-Down View 65°(Typ)
Contrast Ratio	700 : 1
Brightness	White 200 cd/ m <sup>2</sup>
Back Light	Dual Lamps for Back Light
Supported Colors	16.7M Colors (6-bit with FRC)
Response Time	Rising Time 2 ms, Decay Time 10 ms
Operating System	Dos, Unix, Linux, OSX, Windows ( XP, 7, 8, Server 2012 R2)
Multi Platform	Support PS/2 and USB
System Cables	VGA + PS/2 x 2 or VGA + USB x 1 cable
Keyboard Mouse	106 key PS/2 keyboard with touch pad
Sync	45 ~ 80 KHz
Power Source	100 ~ 240 VAC input
Power Consumption	15.5W
Temperature	Operate 0 ~ 50°C / 32 ~ 122°F Storage -20 ~ 60°C / -4 ~ 140°F
Humidity	10% ~ 90% RH
Chassis Construction	Heavy duty steel materials
Keyboard Language	USA, UK, German, French, Spanish, Italian, Portuguese, Dutch, Swiss, Belgium, Swedish, Norwegian, Danish, Japan, Taiwan, Russian, Hebrew, Arabic



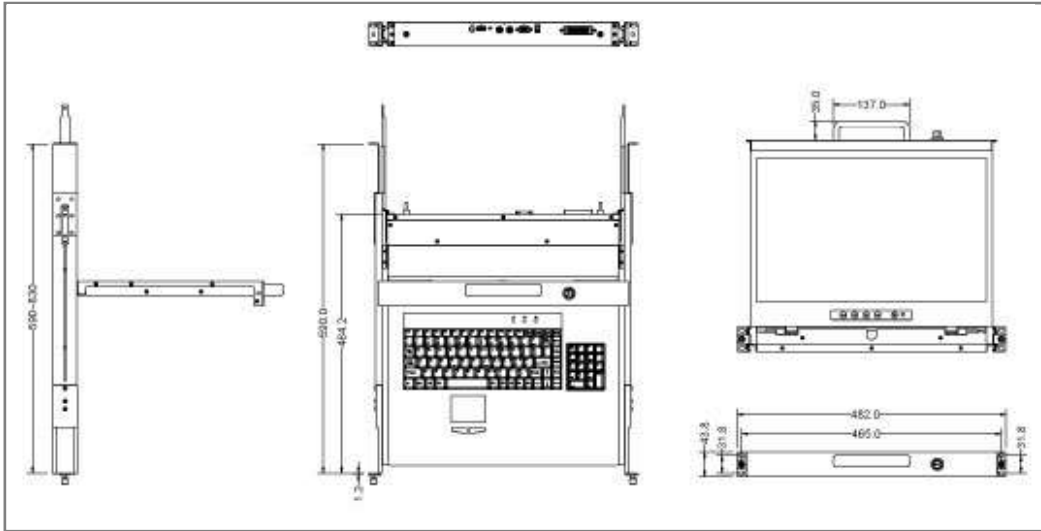


Figure 1-4. LCD1U19-26 Dimension

## 2. Panel Controls and OSD Function




Controls	Description
	Soft power on/off button. Adjacent LED is lit when on.
<b>Auto</b>	Auto-synchronize and scale down display to any valid factory preset timings.
	Press to scroll the function you want to adjust.
	Press to scroll the function you want to adjust.
<b>Menu</b>	To access the main menu. This button also acts as the “Enter” button.

Table 2-1. Panel Controls

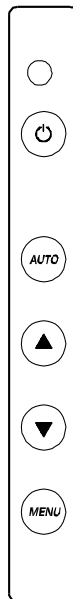


Figure 2-1. LCD1U15-18 / 17-33 OSD Control Bar

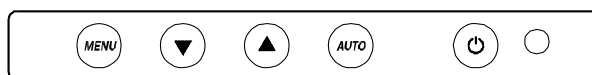


Figure 2-2. LCD1U19-24 / 19-26 OSD control Bar

### 2.1 Auto Tune

Press the “auto tune” button. The panel will adjust the display size

automatically and also tune the panel to its best condition.

## 2.2 Input Source

1. Press the “menu” button.
2. Use the “Down” and “Up” button to scroll.

Auto tune.

**Input Source**

Brightness

Contrast

Color

Position

Language

Recall

Exit

3. Press the “menu” button to enter, and you will see:

VGA / DVI

4. Use the “Down” and “Up” button to select the input source of signal.
5. Press the “menu” button to enter

## 2.3 Brightness

1. Press the “menu” button.
2. Use the “Down” and “Up” button to scroll.

Auto tune.

Input Source

**Brightness**

Contrast

Color

Position

Language

Recall

Exit

3. Press the “menu” button to enter.
4. Use the “Down” and “Up” button to adjust the brightness of the display.
5. Press the “menu” button to enter.

## 2.4 Contrast

1. Press the “menu” button.
2. Use the “Down” and “Up” button to scroll.

Auto tune.  
Input Source  
Brightness  
**Contrast**  
Color  
Position  
Language  
Recall  
Exit

1. Press the “menu” button to enter.
2. Use the “Down” and “Up” button to adjust the contrast of the display.
3. Press the “menu” button to enter.

## 2.5 Color

1. Press the “menu” button.
2. Use the “Down” and “Up” button to scroll.

Auto tune.  
Input Source  
Brightness  
Contrast  
**Color**  
Position  
Language  
Recall  
Exit

3. Press the “menu” button to enter. And you will see:

Icon	Description
9300°K	To set CIE coordinates at 9300°K color
7500°K	To set CIE coordinates at 7500°K color
6500°K	To set CIE coordinates at 6500°K color
User	To set user defined CIE
Auto color	To auto adjust color
Return	To exit and return to the previous page

**Table 2-2. Icon Description**

4. Use the “Down” and “Up” button to adjust the color of the display.

5. Press “menu” to enter.

## 2.6 Position

1. Press the “menu” button.

2. Use the “Down” and “Up” button to scroll.

Auto tune.

Input Source

Brightness

Contrast

Color

**Position**

Language

Recall

Exit

3. Press the “menu” button to enter. And you will see:

Icon	Description
Image Pos	To adjust the position of the image.
OSD Pos	To adjust the position of the OSD.
Return	To exit and return to the previous page

**Table 2-3. Icon Description**

4. Use the “Down” and “Up” button to scroll.
5. Press the “menu” button to enter.

## 2.7 Language

1. Press the “menu” button.
2. Use the “Down” and “Up” button to scroll.
  - Auto tune.
  - Input Source
  - Brightness
  - Contrast
  - Color
  - Position
  - Language**
  - Recall
  - Exit
3. Press the “menu” button to enter. And you will see:
  - English**
  - German
  - French
  - Italian
  - Spanish
4. Use the “Down” and “Up” button to scroll.
5. Press the “menu” button to enter.

## 2.8 Recall

1. Press the “menu” button.
2. Use the “Down” and “Up” button to scroll.
  - Auto tune.
  - Input Source
  - Brightness
  - Contrast
  - Color
  - Position
  - Language
  - Recall**

Exit

3. Press the “menu” button to enter, and you will see:

**Yes/ No**

4. Select “Yes” button then ‘Menu” button to recall the factory setting.

Select “No “ to return to the previous page.

## 2.9 Exit

Press the “exit” button to quit OSD menu.

## 2.10 Power Indicator

- ◆ GREEN ON
- ◆ RED STANDBY
- ◆ RED SUSPEND
- ◆ RED OFF



**OSD** – On Screen Display

### 3. Installation

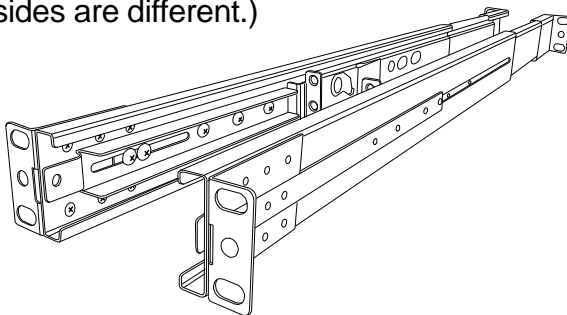
#### 3.1 Install LCD1U15-18 / 17-33 / 19-24 into cabinet

##### 3.1.1 Notes

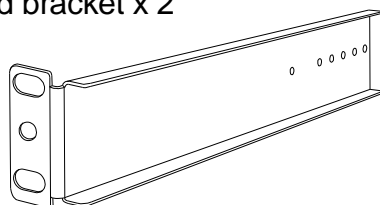
1. Please check all peripherals according the list before installation. To make sure that the whole unit was not damaged and lost during shipping process. If you encounter any problem, please contact your dealer.
2. Before installation, make sure all peripherals and computer have been turned off.
3. The cabinet depth range must be in 504 ~ 1000 mm for 15" and 17" console (554 ~ 1000 mm for 19" console). Contact your dealer for deeper cabinet application.
4. The cabinet depth is 614 ~ 800 mm for 15" and 17" (664 ~ 800 mm for 19"), please refer to "Step A".  
The cabinet depth is 504 ~ 614 mm for 15" and 17" (554 ~ 614 mm for 19"), please refer to "Step B".  
The cabinet depth is 800 ~ 1000 mm, please refer to "Step C".
5. Reliable grounding of rack-mounted equipment should be maintained. Particular attention should be given to supply connections other than direct connections to the branch circuit.

##### 3.1.2 Hardware Kits Contents

1. Rail with front and rear bracket x 2 (Please identify the brackets. Right and left sides are different.)

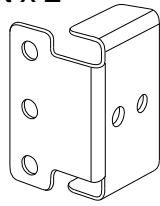


2. Extended bracket x 2

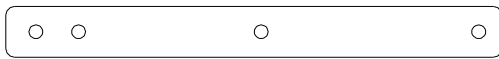




3. Short bracket x 2



4. Bracket attachment x 2



**LCD1U15-18 / 17-33  
bracket attachment**



**LCD1U19-24  
bracket attachment**

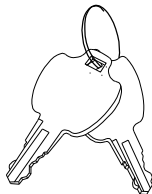
5. Screw (length = 6 mm) x 6



6. Screw x 6

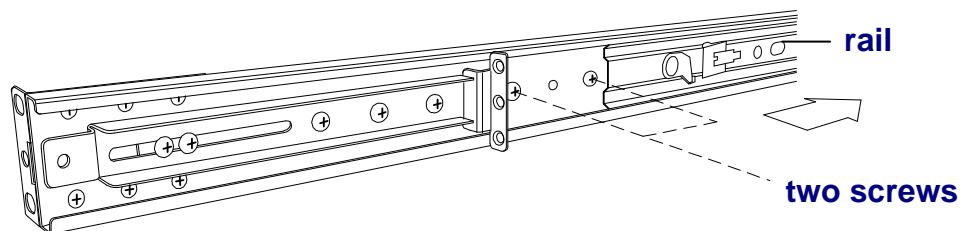


7. Key x 2

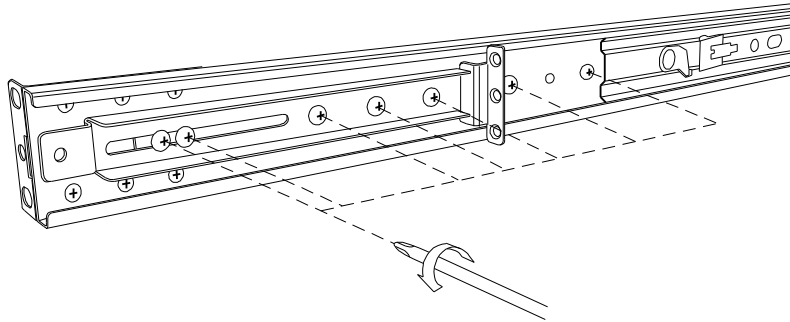


### 3.1.3 Step A (Install Console)

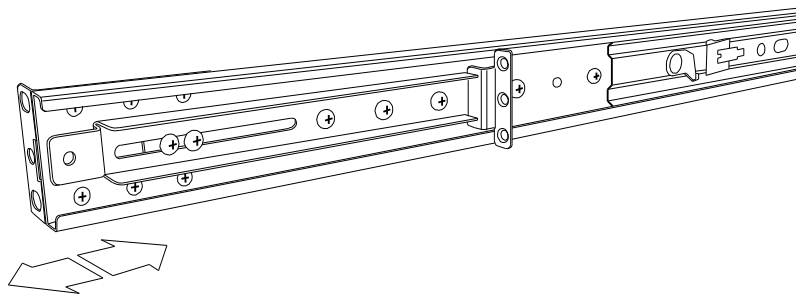
1. Adjust rail until two screws appear.



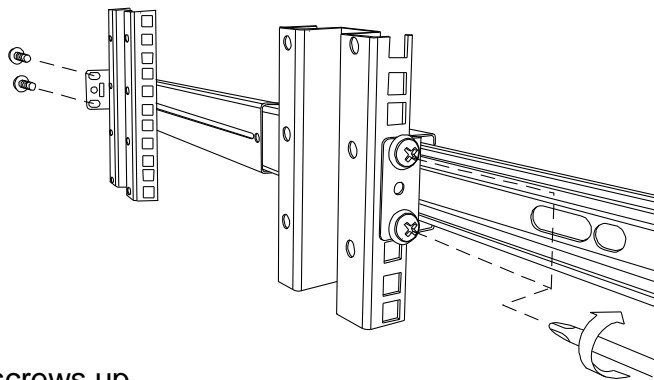
2. Loose (Not remove) seven screws.



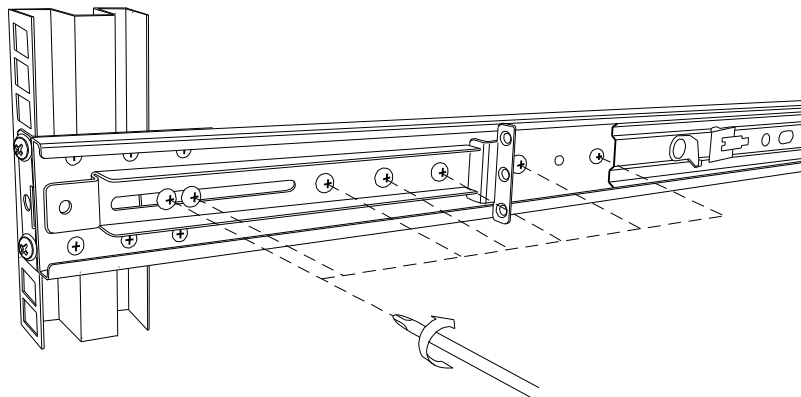
3. Adjust rail to fit your cabinet



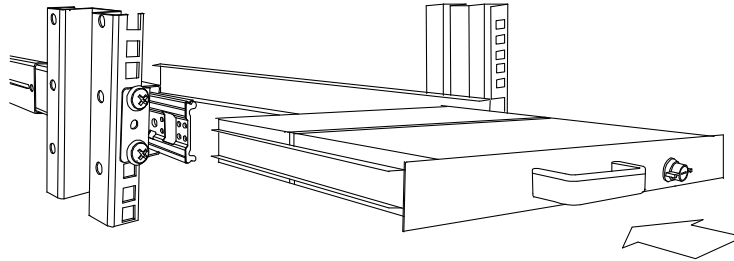
4. Install front and rear bracket on cabinet.



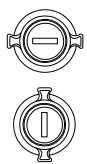
5. Tight seven screws up.



6. Repeat step 1~5 for the other side.
7. Push console into rails. (Be careful rear box loose when take out console from carton.)

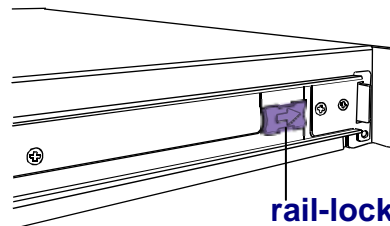
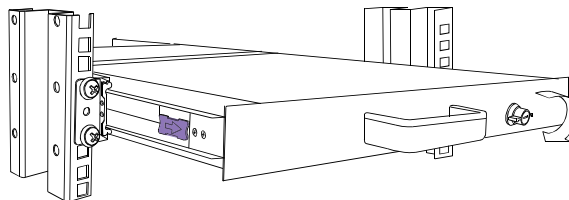


8. Unlock and pull rail-lock switch (left and right at the same time) then push console to the end.



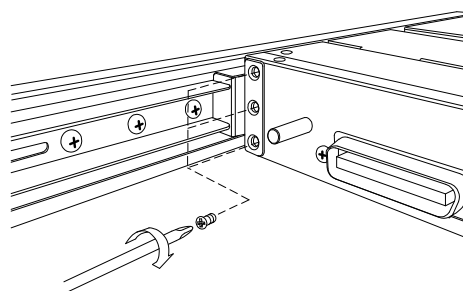
**lock**

**unlock**

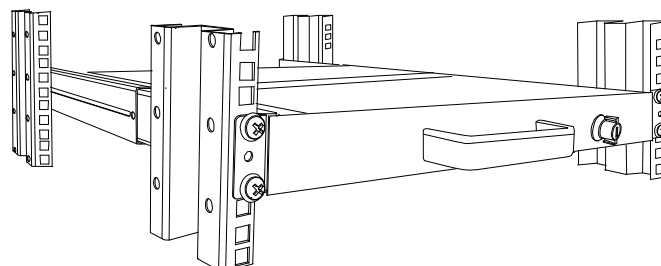


**rail-lock switch**

9. Install three screws (length = 6 mm) in rear of the console. (Both sides)

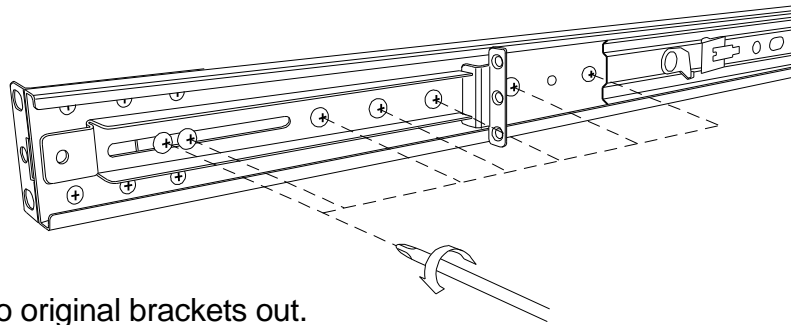


10. Finish installation as below.

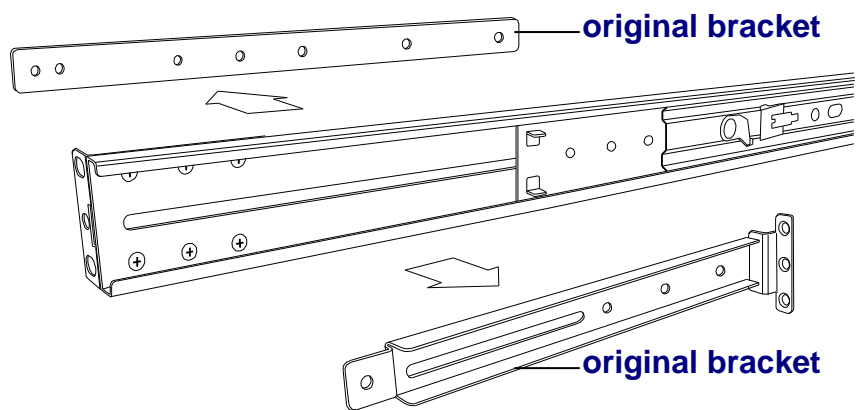


### 3.1.4 Step B (Replace short bracket)

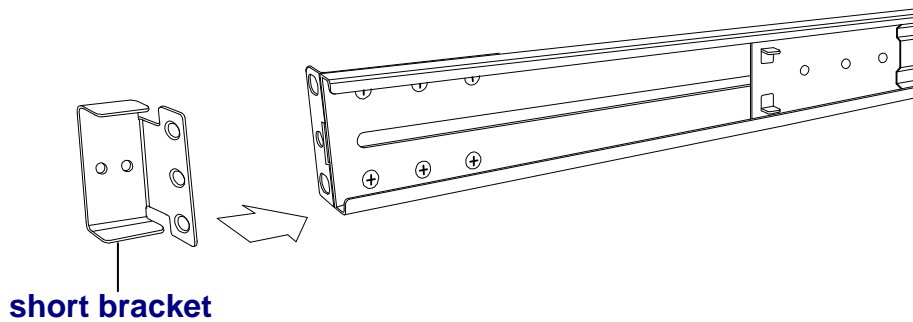
1. Remove seven screws.



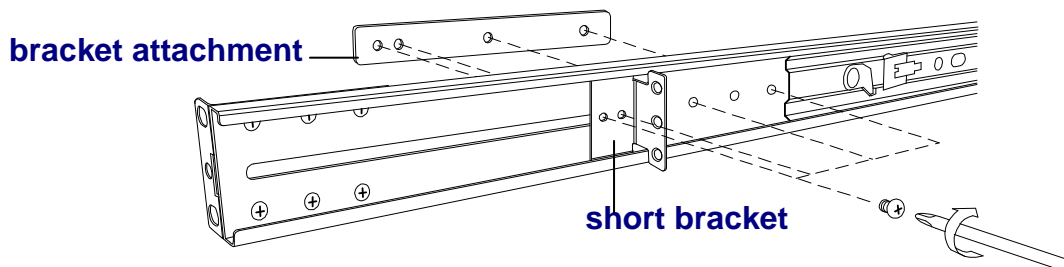
2. Take two original brackets out.



3. Put short bracket to rear of the rail.



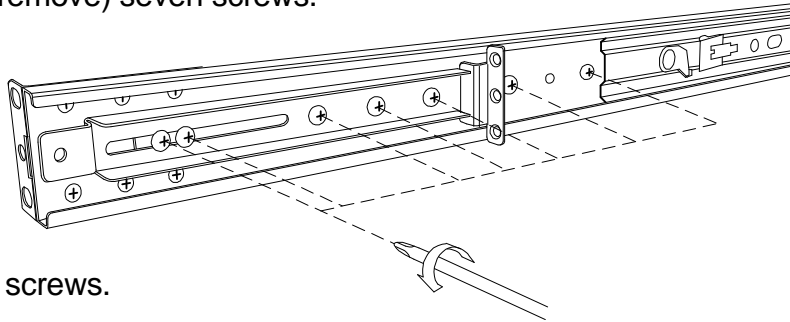
4. Install four screws (don't tight-up) to combine rail, short bracket and bracket attachment.



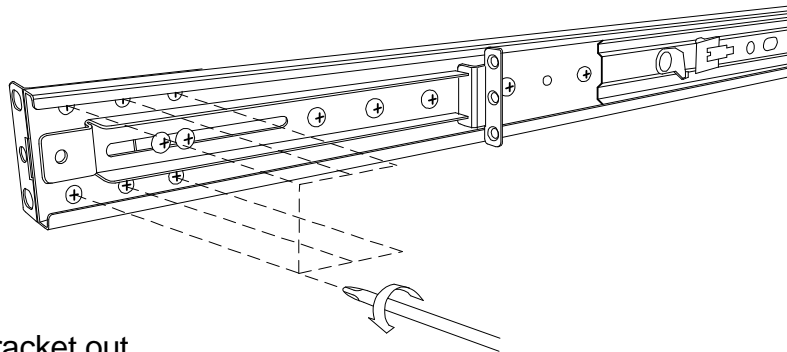
5. Repeat step 1 ~ 4 for the other side.
6. Repeat step 3 ~ 10 of step A to finish the installation.

### 3.1.5 Step C (Replace extended bracket):

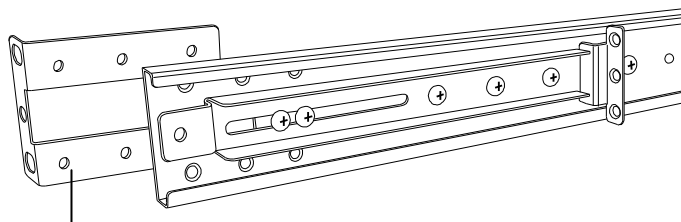
1. Loose (Not remove) seven screws.



2. Release six screws.

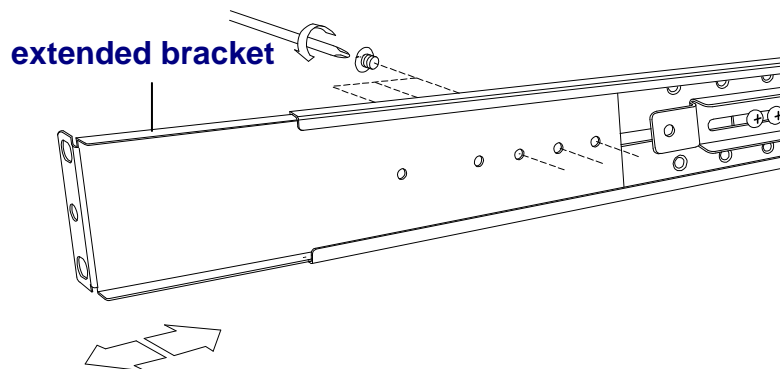


3. Take rear bracket out.



**original bracket**

4. Adjust rail and input extended bracket to rear of the rail then adjust extended bracket to fit your cabinet. Install unless 2~3 screws (don't tight-up) upon the length you need. One is forbidden.

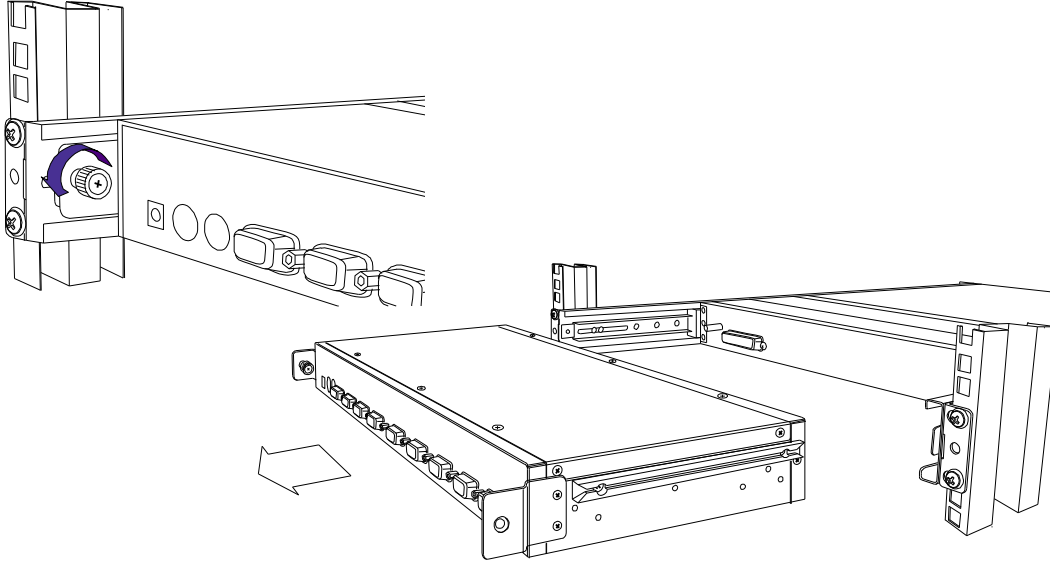


5. Repeat step 1 ~ 4 for the other side.

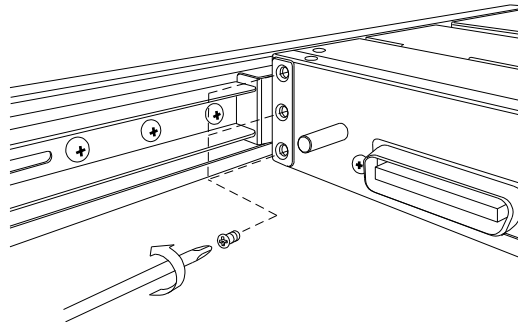
6. Repeat step 3 ~ 10 of step A to finish the installation.

### 3.1.6 Unload Steps

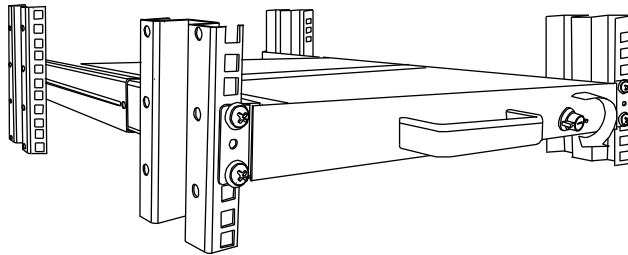
1. Make sure the console has locked and turned off.
2. Loose two thumb screws and pull modular KVM switch out.



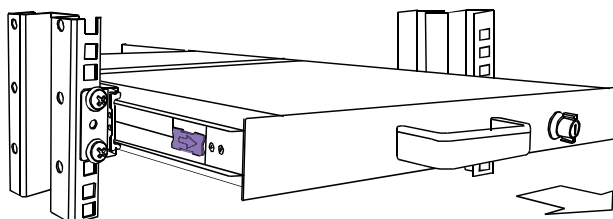
3. Release three screws in rear of the console. (Both sides)



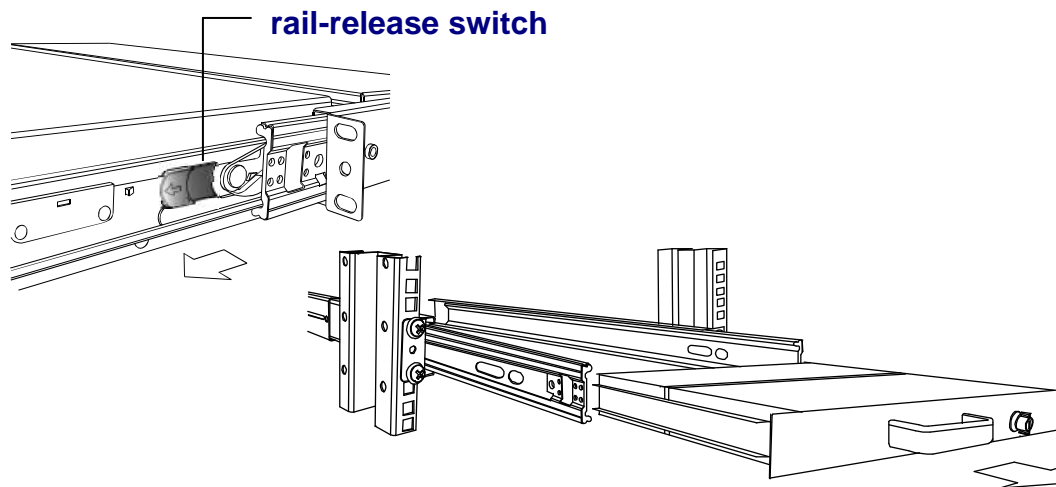
4. Unlock.



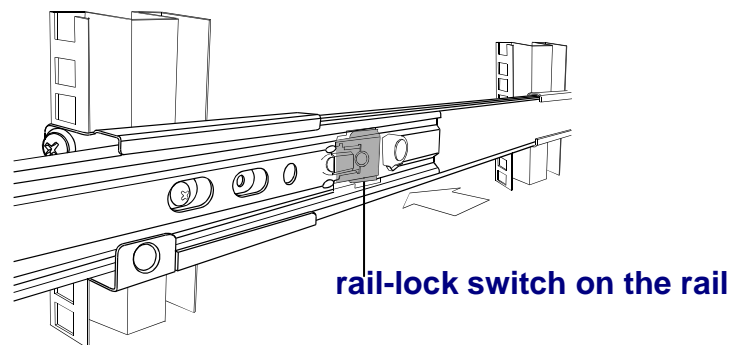
5. Pull console out until console lock.



6. Pull rail-release switch and pull console out. (Both sides. Be careful when pull out console.)



7. Push rail-lock switch on the rail and push rail back. (Both sides)



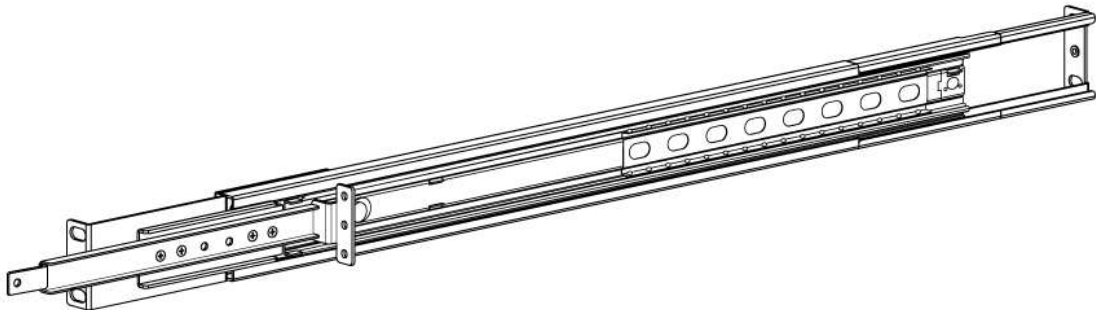
## 3.2 Install LCD1U19-26 Single Rail Console into Cabinet

### 3.2.1 Notes

1. Please check all peripherals according the list before installation. To make sure that the whole unit was not damaged and lost during shipping process. If you encounter any problem, please contact your dealer.
2. Before installation, make sure all peripherals and computer have been turned off.
3. The cabinet depth range must be in 590 ~ 830 mm. Contact your dealer for deeper cabinet application.
4. Reliable grounding of rack-mounted equipment should be maintained. Particular attention should be given to supply connections other than direct connections to the branch circuit.

### 3.2.2 Hardware Kits Contents

1. Rail with front and rear bracket x 2



2. Screw (length = 6 mm) x 6



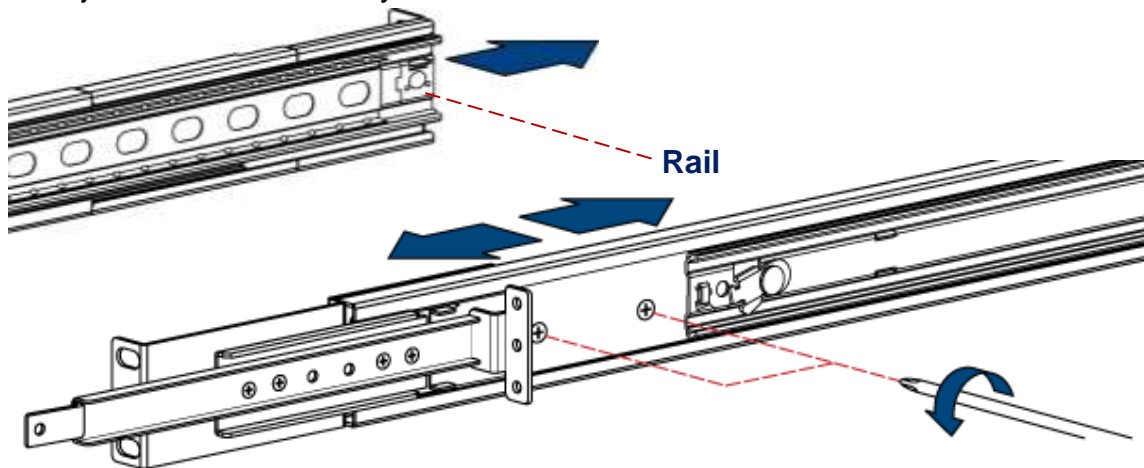
3. Key x 2



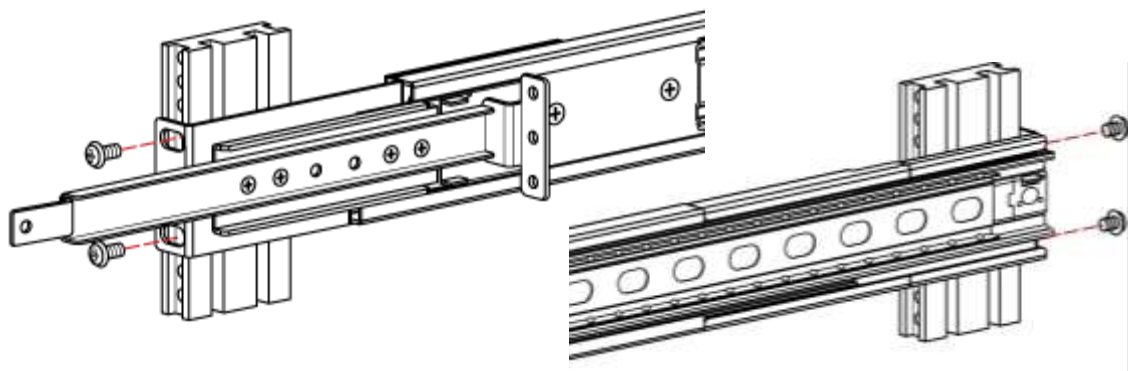


### 3.2.3 Install Console Steps

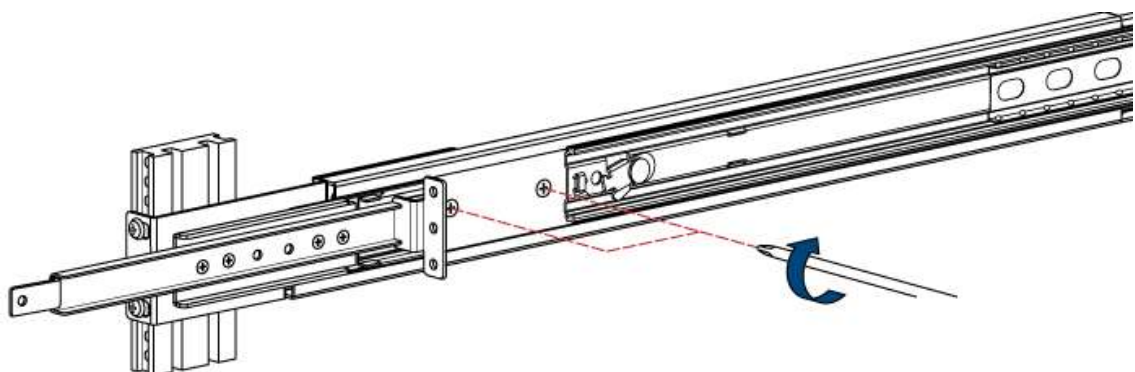
1. Adjust rail until two screws appear. Loose (Not release) two rear screws then adjust rear bracket to fit your cabinet.



2. Install front and rear bracket on cabinet.

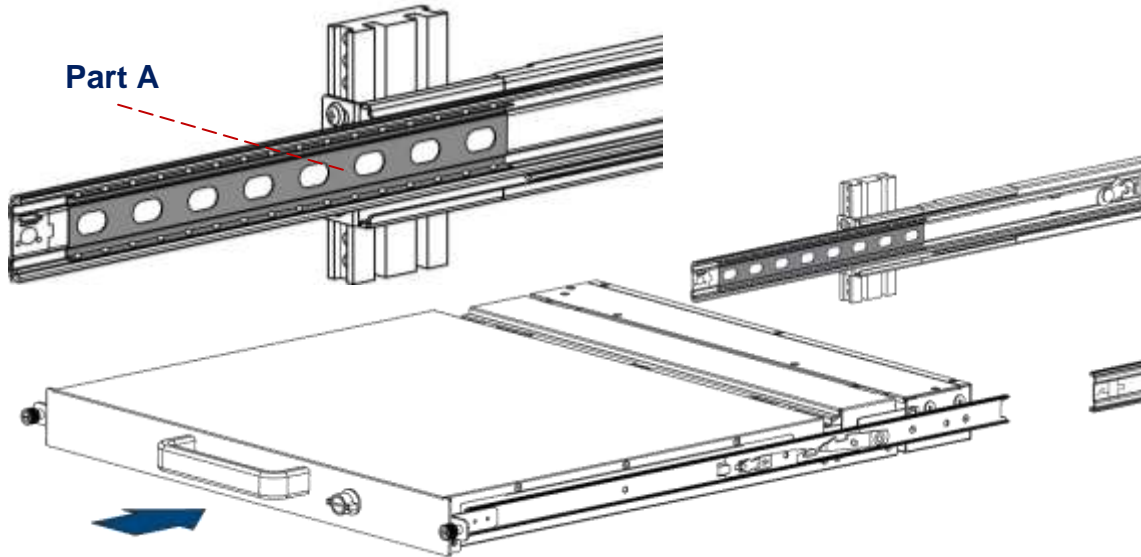


3. Tight-up two rear screws.

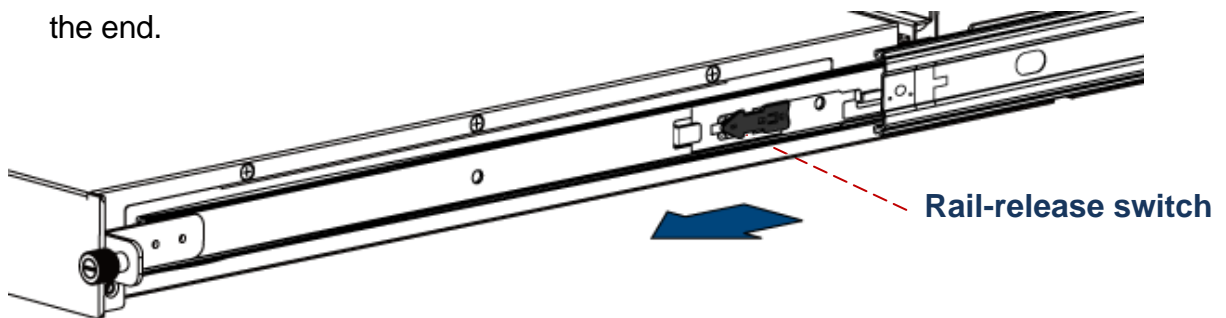


4. Repeat step 1~3 for the other side.

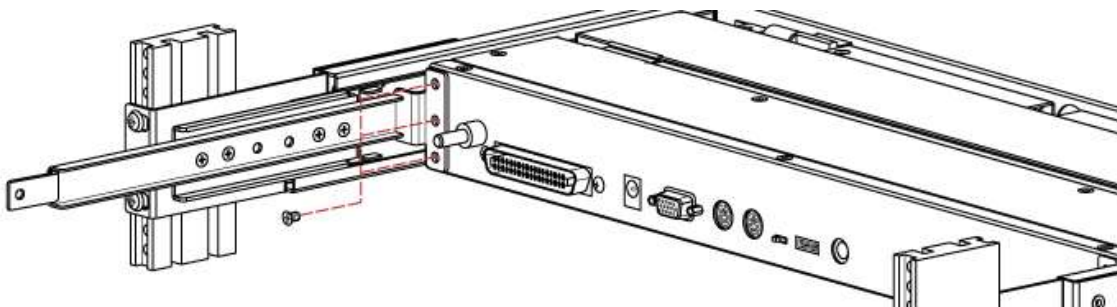
5. Pull rail until it lock and keep the part A in front of the rail (Both sides). Then push console into left and right rails. (Be careful rear box loose when takeout console from carton.)



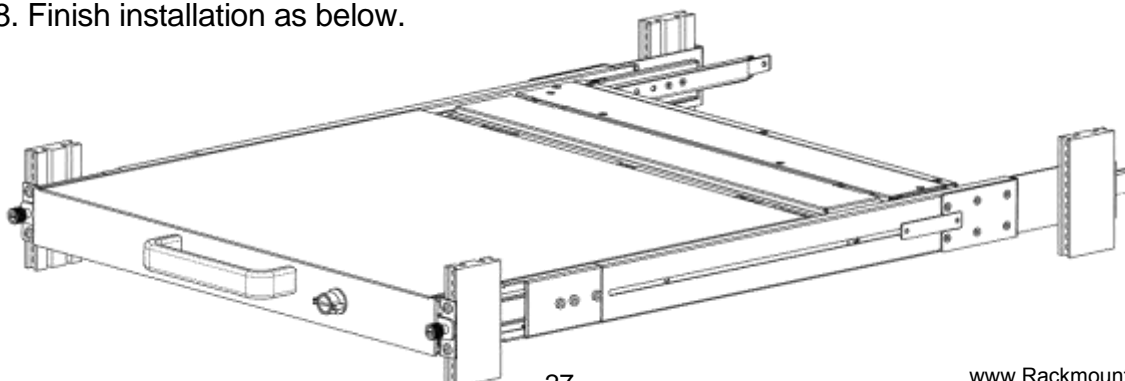
6. Pull rail-release switch (left and right at the same time) then push console to the end.



7. Install three screws in rear of the console (Both sides).



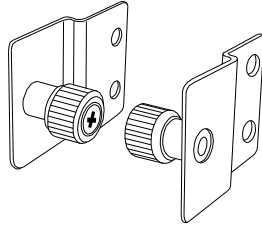
8. Finish installation as below.



### 3.3 Install Modular KVM Switch

#### 3.3.1 Hardware Kits Contents

1. Bracket with thumb screw x 2

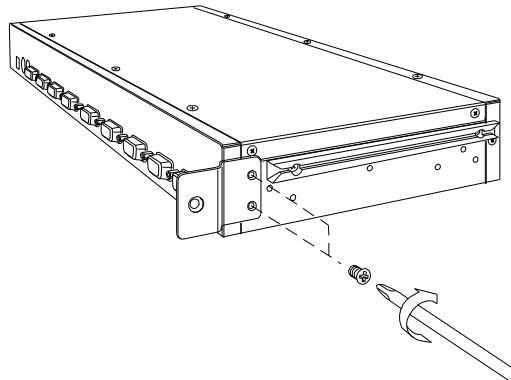


2. Screw (length = 6 mm) x 4



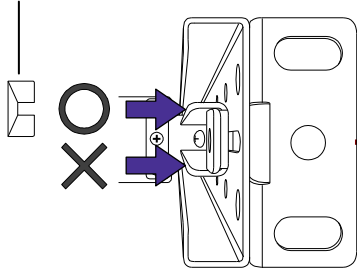
#### 3.3.2 Install Modular KVM Switch Step

1. Install two screws (length = 6 mm) to combine bracket and KVM switch. (Both sides)

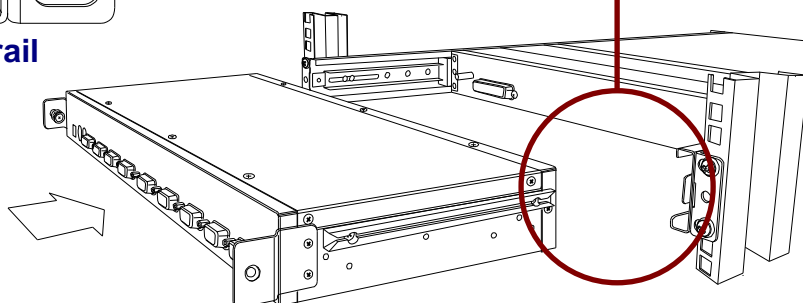


2. Push KVM switch into the rails from rear of cabinet.

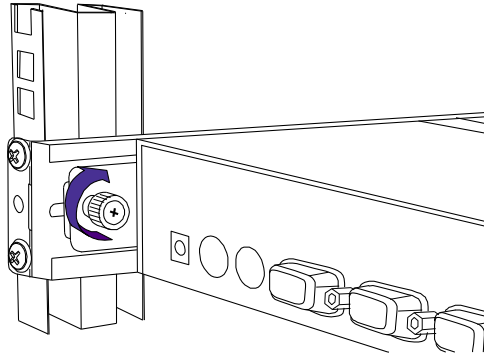
**plastic rail of KVM switch**



**rear view of rail**



3. Tight thumb screw of bracket up to fix KVM switch in console and finish installation. (Both sides)



## 3.4 Installing the Video Card and Video Driver

Before connecting the LCD console, make sure your computer has a video card already installed for the panel. After you connect the console, install the video software driver. The video driver is supplied by the video card manufacturer and may be found on the CD-ROM that came with your computer. If you need information on installing a video card or video driver, refer to the manual that came with your video card.

### 3.4.1 Configuring the Display Settings

After connecting the console and turning on your computer, you may need to configure one or more of the following display settings:

- Display mode (also called desktop area or video resolution)
- Refresh rate (also called vertical scan rate or vertical sync)
- Color depth (also called color palette or number of colors)

Each video card has several controls that let you adjust the display settings. However, the software and driver for each video card is unique. In most cases, you adjust these settings by using a program or utility provided by the manufacturer of the video card. Most video cards use the Windows Display Properties control panel to configure the display. To open the Windows Display Properties, click the right mouse button in a blank area of the Windows desktop and then select **Properties**. The Settings tab usually lets you change the Color Palette and the Desktop Area (*x by y pixel resolution*).

Some video cards integrate additional features into the Windows Display Properties control panel to give you an exceptional setup that is flexible and easy to use. For example, the control panel may include an Advanced Properties button, an Adjustment tab, or a Refresh tab for changing other settings. Other video cards have a separate utility for setting display properties.

Whenever you change the resolution, color, or refresh rate, the image size, position, or shape may change. This behavior is normal. You can readjust the image using the panel on-screen controls. For more information on the panel on-screen controls, refer to Chapter 2. For more information on configuring the display settings, refer to the manual that came with your video card.

### 3.4.2 Connecting the Console

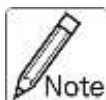
To connect an LCD console to a computer, perform the following steps



- |   |                    |
|---|--------------------|
| 1. KVM dock (Only for Combo-free / CAT5 series KVM Switch use.) | 4. PS/2 keyboard   |
| 2. DC in  | 5. PS/2 mouse      |
| 3. VGA port   | 6. PS/2 mouse      |
|   | 7. PS/2-USB select |

**Figure 3-1. The Rear View of LCD Console**

1. Turn off your computer. You should always turn off your computer before connecting or disconnecting a device.
2. Connect the video (VGA) connector of the KVM cable to the video card connector on the rear panel of your computer.
3. Identify and connect the PS/2 mouse and PS/2 keyboard connector to the correct PS/2 ports on the rear panel of your computer. Or you can use USB interface to connect your computer. (Use PS/2-USB switch to select your interface. The switch has to be on PS/2 side when you use PS/2 interface connector.)



.....  
Please don't plug PS/2 and USB cables at the same time  
.....

4. Connect the AC to DC power adapter to the power inlet on the console and then to a power outlet.

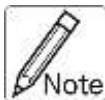
### 3.5 Turning on the Console

Make sure all cables and the AC to DC power adapter are connected properly. Be sure to tighten all connector screws. Grab the front handle. Pull the console all the way out then lift the panel up. This will disengage the momentary on/off switch and the unit should power on. The LED on the left or underneath of the panel will be green light.

### 3.6 Testing the Console

To test that the console is working properly, perform the following steps:

1. Power up the console, and then turn on your computer.
2. Make sure the video image is centered within the screen area. Use the OSD controls to adjust the image (see note below) or press the Auto button on the left or underneath of the panel.



.....  
If the unit does not power on when the panel is pulled up, try to push the power on/off button underneath or on the left of the LCD panel to power up the unit.  
.....



.....  
You can adjust the horizontal and vertical position, contrast, and brightness to better suit your video card and your personal preference. Refer to Chapter 2 for more information on using the on-screen menu to adjust the video display.  
.....

Before you begin, make sure that powers to all the devices you will be connecting up have been turned off. To prevent damage to your installation due to ground potential difference, make sure that all the devices on the installation are properly grounded. Consult your direct vendor for any technical issues if necessary.  
.....

## 4. KVM Switch

For the KVM switch user manual, please go back to the main menu and select “KVM Switch“.