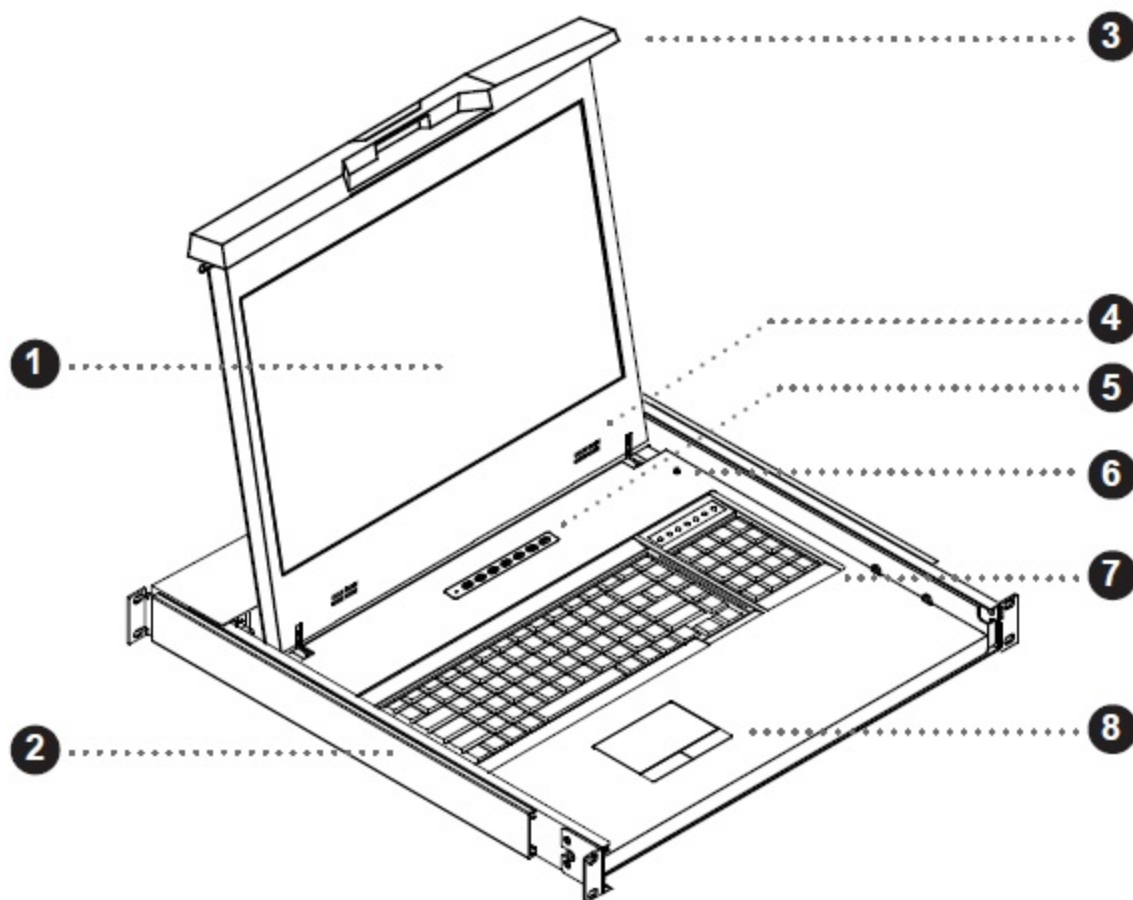



# Structure Diagram

Model Number : LCD1U17-41



- ① LCD interchangeable module kit
- ② Installation Slides
- ③ Molded front handle
- ④ Audio speaker ( for SDI or HDMI option )
- ⑤ LCD membrane 
- ⑥ Micro switch for screen auto power off
- ⑦ Keyboard interchangeable module kit
- ⑧ Mouse interchangeable module kit