

4K^{UHD}

Key Benefits

- ▶ 3840 x 2160@60Hz native UHD resolution
- ▶ 1920 x 1080 & 1920 x 1200 resolution support
- ▶ 16.7M colors (8-bit)
- ▶ PIP Sub-screen & PBP Dual-screen viewing efficiency
- ▶ Display port 1.2 + HDMI 1.4 + HDMI 2.0 video input
- ▶ Video decoding capability up to 1080p (option)
- ▶ Rugged structure ensures high mobility
- ▶ IP65 front protection (option)
- ▶ Professional-use durability & around-the-clock operation

Applications

- Broadcasting / Advertising
- Traffic control / Command center
- Directory / Ticket kiosk
- Surveillance system
- Vehicle mount display
- Bathroom TV

Options

Video Management & Transmission over Network

- Embedded HDMI Decoder Module 1080p over IP
- Embedded HDMI Receiver Module 1080p
- Embedded HDMI Quad Display Module 1080p (For 23" panel)
- Embedded Multi Monitor OSD Control Module over serial
- Embedded 3G / HD / SD-SDI Input Module
- 12G / 4K60 / SD-SDI Input Module

Bezel & Frame Customization

- Dimension
- Color & Treatment
- Screen Printing
- Stainless Steel Bezel

Touchscreen & Glass Protection

- Projected Capacitive 10-point Touch
- Resistive 1-point Touch (4-wire)
- IP65 front protection
- Anti-reflective Glass
- Vandal Proof Glass

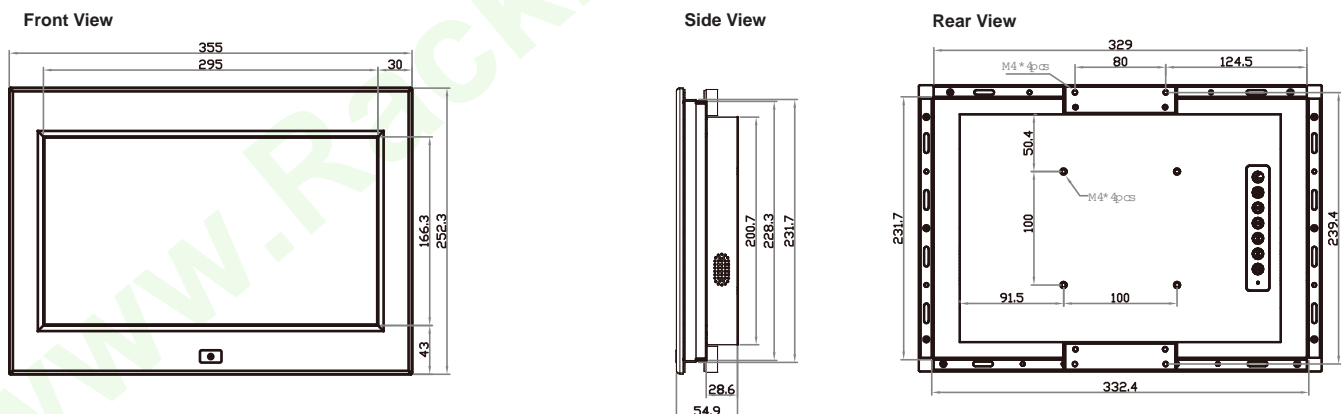
DC Power & connector

- 12V / 24V / 48V / 110V / 125V / 250VDC
- MIL-type or lockable connector

Mounting

- VESA mount kit
- Desktop stand
- Wall mount

Diagrams (mm)



Product Specifications

LCD Panel	
Panel size (diagonal)	13-inch
Native resolution	3840 x 2160 @ 60Hz
Brightness (cd/m ²)	340
Contrast ratio (typ.)	1500 : 1
Colors	16.7M, 8-bit
Viewing angle (L/R/U/D)	89/89/89/89
Response time (ms)	29
Dot pitch (mm)	0.0765
Display area (mm)	293.76H x 165.24V
Surface treatment	Glare
Surface hardness	3H
Backlight type	LED
MTBF (hrs)	15,000

Video	
Digital :	
Display port	DP 1.2 / HDCP 1.3
HDMI	HDMI 2.0 / HDCP 2.2 HDMI 1.4 / HDCP 1.4

Audio	
Audio output :	
Connector	3.5mm stereo jack
Resistance / Power level	30kΩ / 2.8V
Speaker :	
Dual stereo speaker	2W x 2

*When the audio output is connected, speaker output is OFF

Power	
Input	Auto-sensing 100 to 240VAC, 50 / 60Hz
Consumption :	
Screen on	Max. 9W
Power saving mode	Max. 2W
Power button on	Max. 1W

Environment	
Operating temp.	0 to 55°C degree
Storage temp.	-20 to 60°C degree
Operating humidity	20~90%, non-condensing
Storage humidity	5 ~90%, non-condensing
Operating altitude	16,000 ft
Non-operating altitude	40,000 ft
Shock	10G acceleration (11ms duration)
Vibration	10~300Hz 0.5G RMS random vibration

Design	ID-K13Aw	ID-K13AwN
Protection	6mm front bezel	NEMA 4 / IP65
Front panel	Black, RAL 9005	
Rear casing	Black, RAL 9005	

Mounting	ID-K13Aw / ID-K13AwN
VESA mount	100 x 100 mm
Universal mount	-
Desktop stand	option
Wall mount	option

Physical	ID-K13Aw / ID-K13AwN	
Product (W x D x H) :	mm	355 x 54.9 x 252.3
	inch	14 x 2.2 x 9.9
Net weight	- kg / - lb	- kg / - lb

Compliance	
EMC	FCC & CE certified
Safety	CE / LVD certified
Environment	RoHS2 & REACH compliant

Applicable Format		
Display port input	PC signal	3840 x 2160 x 60Hz 1920 x 1080 x 60Hz 1920 x 1200 x 60Hz 1600 x 1200 x 60Hz 1280 x 1024 x 60 / 75Hz 1024 x 768 x 60 / 70 / 75Hz 800 x 600 x 60 / 72 / 75Hz 720 x 400 x 70Hz 640 x 480 x 60 / 72 / 75Hz
	Audio signal	2ch Linear PCM
HDMI input	HDMI 2.0	Same as Display port
	HDMI 1.4	3840 x 2160 x 30 Hz 1920 x 1080 x 50 / 60Hz (1080p) 1920 x 1080 x 25 / 30Hz (1080i) 1280 x 720 x 50 / 60Hz (720p) 720 x 480 x 50 / 60Hz (576p / 480p)
	Audio signal	2ch Linear PCM